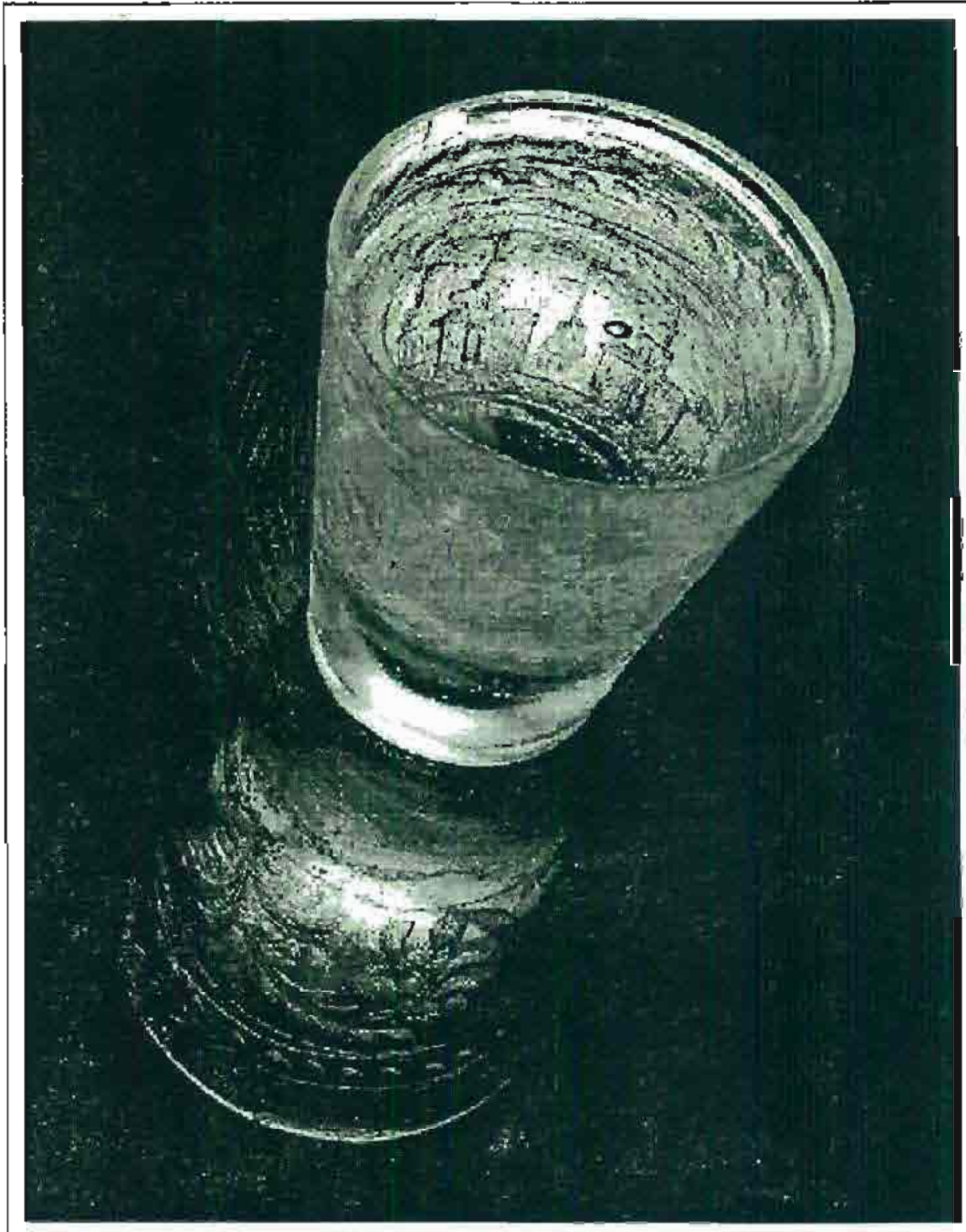


**ANCODS 1991**  
**Report and catalogue of artefacts**



By  
**Myra Stanbury and Fairlie Sawday**  
*With contributions from:*  
*Jeremy Green, Stan Wilson, Ian MacLeod and Ian Godfrey*

Special Publication - Department of Maritime Archaeology  
Western Australian Maritime Museum, No. 7  
September 1991

# ANCODS 1991

## Report and catalogue of artefacts

By

**Myra Stanbury and Fairlie Sawday**

*With contributions from:*

*Jeremy Green, Stan Wilson, Ian MacLeod and Ian Godfrey*

Special Publication - Department of Maritime Archaeology  
Western Australian Maritime Museum, No. 7  
September 1991

*Front cover: Glass tumbler (or beaker) ZI 3979 recovered from the Zuytdorp wreck site in 1988  
Photograph by Patrick Baker, Western Australian Maritime Museum.*



# Contents

List of figures .....	iii
List of tables .....	<i>Table 8</i> iv
<b>Preface</b> .....	v
<b>Acknowledgements</b> .....	vi
<b>Introduction</b> .....	1
<b>The Dutch artefact collection</b> .....	1
STATUS OF COLLECTION .....	1
REGISTRATION .....	2
CONSERVATION AND RESTORATION .....	2
<b>Report on conservation and restoration, Dr Ian MacLeod</b> .....	2
<b>Report on the conservation of organic materials, Dr Ian Godfrey</b> .....	4
REPLICATION PROGRAMME .....	5
EXHIBITION AND DISPLAY .....	5
<i>WA Maritime Museum</i> .....	5
<i>The Australian Bicentennial 1988</i> .....	6
<i>Western Australian Museum Centenary</i> .....	6
TRANSFER OF COMMONWEALTH COLLECTION TO THE AUSTRALIAN NATIONAL MARITIME MUSEUM .....	6
<b>BATAVIA (1629)</b> .....	7
<b>Recent work and events</b> .....	7
VISITS TO BEACON ISLAND .....	7
SITE MANAGEMENT .....	7
<i>Abrolhos Islands Planning Strategy</i> .....	7
DOCUMENTARY FILMS .....	8
RECONSTRUCTION OF THE <i>BATAVIA</i> HULL TIMBERS .....	8
THE <i>BATAVIA</i> HULL STRUCTURE RESEARCH .....	8
ARTEFACT RESEARCH .....	9
<i>Iron guns</i> .....	9
<i>Land site collections</i> .....	9
<b>VERGULDE DRAECK (1656)</b> .....	10
<b>Recent work and events</b> .....	10
<b>Report on the artefact collection</b> .....	10
ORGANIC MATERIALS .....	10
<i>Leather</i> .....	10
<i>Wooden barrel and barrel staves</i> .....	10
<i>Textiles</i> .....	11
<i>Wooden billet crates</i> .....	11
CERAMICS: REDWARES .....	12
<b>ZEEWIJK (1727)</b> .....	13
<b>Report on the artefact collection</b> .....	13
STONEWARE JUG (ZW 5580) .....	13
WINE GLASS WITH SILVER COLLAR (ZW 1100/ZW 1084) .....	13
BUCKLE FRAME AND CHAPE (ZW 1727) .....	13
BARREL OF IRON NAILS (ZW 5581) .....	13
RESEARCH .....	14
<i>Asian ceramics</i> .....	14

<i>Glassware</i> .....	14
<b>ZUYTDORP (1712)</b> .....	15
<b>Recent work and events</b> .....	15
<b>Report on the artefact collection</b> .....	15
ANCHOR .....	15
ARMAMENT .....	15
<i>Iron gun (ZT 3926)</i> .....	15
FIREARMS AND ACCOUTREMENTS .....	17
<i>Copper alloy furniture for small firearms</i> .....	17
<i>Cartridge case (ZT 3278, 3923, 3971 et al.)</i> .....	17
<i>Gunflint (ZT 4108)</i> .....	18
CARGO/BALLAST .....	18
<i>Lead ingots (or pigs)</i> .....	18
<i>Lead ingot analysis. David Kelly</i> .....	19
NAVIGATION DIVIDERS .....	20
TUFTING NAILS (ZT 3324 ET AL.) .....	22
PEWTER WARE .....	22
<i>Pewter chalice (or ewer) (ZT 4032)</i> .....	22
<i>Pewter plate or charger (ZT 3973A)</i> .....	24
<i>Funnels (ZT 3976)</i> .....	24
<i>Bottle caps</i> .....	24
GLASSWARE .....	24
<i>Glass tumblers (or beakers)</i> .....	24
PORCELAIN .....	26
SMALL FINDS .....	26
SIGNIFICANT LAND SITE FINDS .....	26
<i>Tobacco-box lid (ZT 4122)</i> .....	26
<i>Porcelain bowl (ZT 4146)</i> .....	26
<b>1991 Report to ANCODS meeting on coins from the Dutch wrecks. S.J. Wilson</b> .....	28
<b>Catalogue of Zuytdorp coins for allocation</b> .....	30
<b>Research</b> .....	31
<b>Proposed Australian-Netherlands Joint VOC Research Programme.</b>	
<b>Jeremy Green</b> .....	31
<b>Batavia research. Jeremy Green</b> .....	29
Research questions related to the Castle Batavia, the land- and waterpoort and the portico façade on the <i>Batavia</i> .....	29
Questions relating to the lading of the <i>Batavia</i> .....	35
Questions relating to the composite cannon .....	36
<b>Zuytdorp Research 1988–1989. Jeremy Green</b> .....	36
<b>Reports and publications relating to the Dutch wrecks 1985-1991</b> .....	38
<b>References</b> .....	41
<b>Catalogue of artefacts for allocation and consideration</b> .....	43
<i>Batavia</i> .....	44
<i>Zeewijk</i> .....	49
<i>Vergulde Draeck</i> .....	50
<i>Zuytdorp [Wreck]</i> .....	62
<i>Zuytdorp [Land]</i> .....	74
<b>APPENDIX I. List of replicas</b> .....	92

## List of figures

Figure 1.	Diagrammatic sketch of the construction of the billet crates .....	12
Figure 2.	<i>Zuytdorp</i> anchor being de-concreted by Dr Ian MacLeod. Photograph: Jon Carpenter .....	15
Figure 3.	<i>Zuytdorp</i> iron gun prior to conservation treatment. Photograph: Jon Carpenter .....	16
Figure 4.	<i>Zuytdorp</i> iron gun during conservation treatment. Photograph: Jon Carpenter .....	16
Figure 5.	Copper alloy furniture from small firearms. Scale 1:2 .....	17
Figure 6.	Unidentified copper alloy objects. Scale 1:2 .....	17
Figure 7.	<i>Zuytdorp</i> dividers. Scale 1:2 .....	21
Figure 8.	Tufting nails. Scale 1:1 .....	23
Figure 9.	Pewter chalice (or ewer) with detail of Isaak Tiffeneau mark. Scale 1:4 .....	23
Figure 10.	Pewter bottle caps. Scale 1:2 .....	24
Figure 11.	Glass tumbler ZT 3979. Photograph: Patrick Baker .....	25
Figure 12.	Glass tumbler ZT 4052. Photograph: Patrick Baker .....	25
Figure 13.	Porcelain saucers (or dishes). Scale 1:2 .....	26
Figure 14.	Brass hinge, possibly from Bible or prayer book (ZT 3482) and unidentified brass objects. Scale 1:1 .....	27
Figure 15.	Brass tobacco box lid engraved with panoramic view of the town of 'Leyden'. Photograph: Jon Carpenter .....	27

## List of tables

Table 1.	Status of Dutch wreck collections .....	1
Table 2.1.	Measurements of <i>Vergulde Draeck</i> billet crates (Sawday, 1991) .....	10
Table 2.2.	Measurements of <i>Vergulde Draeck</i> billet crates (Sawday, 1991) .....	11
Table 3.	Qualitative analysis of wine glass stems from the <i>Zeewijk</i> by D.J.Honey (1990) .....	14
Table 4.	Comparative weights of <i>Zuytdorp</i> lead ingots .....	18
Table 5.	Lead ingot analysis by David Kelly .....	19
Table 6.	<i>Zuytdorp</i> dividers .....	20
Table 7.	Glassware from the <i>Zuytdorp</i> .....	24

## Preface

This document has been prepared for the Department of the Arts, Sport, the Environment Tourism and Territories (DASETT) in accordance with the requirements of the Australian Netherlands Committee on Old Dutch Shipwrecks. It is primarily designed as a report to the Committee on the work undertaken by the Western Australian Museum in respect to the 17th and 18th century Dutch shipwrecks *Batavia* (1629), *Vergulde Draeck* (1656), *Zuytdorp* (1712) and *Zeewijk* (1727). Under the terms of the ANCODS agreement, the Committee meet at intervals to make recommendations with regard to the artefact collection, its representative allocation to the Commonwealth of Australia and The Netherlands, and its management, conservation and research. The prime function of the report, therefore, is to give a brief résumé of some of the more significant aspects of the work undertaken in respect to the wreck sites and the artefact collections and to present a listing of artefacts now available for inspection and consideration by the Committee.

Myra Stanbury, Curator  
and  
Fairlie Sawday, Technical Officer

Department of Maritime Archaeology  
Western Australian Maritime Museum  
Cliff Street, FREMANTLE WA 6160  
September 1991



## Acknowledgments

The Commonwealth Department of the Arts, Sport, the Environment Tourism and Territories has continued to provide funding in support of the Dutch shipwreck programme and this is most gratefully acknowledged; together with the support of the State Government Department of the Arts, this has ensured that the work undertaken by the Western Australian Museum in relation to the Dutch shipwrecks has been able to proceed satisfactorily. The Director, Mr John Bannister, the delegated authority under the Commonwealth *Historic Shipwrecks Act 1976*, the Trustees of the Western Australian Museum, Dr Ian Crawford, Head of Human Studies and the Maritime Archaeology Advisory Committee have continued to give enthusiastic endorsement to the programme activities.

The Department of Maritime Archaeology under the direction of Jeremy Green, undertakes the archaeological investigation, collection and site management and research of the Dutch shipwrecks; the contribution of all the staff members is acknowledged, but more especially the work of Mike McCarthy, Curator, in charge of the *Zuytdorp* programme and its associated consultants and volunteers - Dr Philip Playford, Stanley Hewitt, Fiona Weaver, Professor Sandra Bowdler and many others; Geoff Kimpton, officer in charge of the *Batavia* reconstruction; Patrick Baker, photographer; former members of the reconstruction project - Ms Rosemary Harper, Messrs Paul Hundley, Brian Richards and Nick Sander and part-time assistants Brad Duncan, Andrew Pinchen, Alan Kendrick, Tom Vosmer and Museum volunteer Frank Shaw; and, Robert Richards and Colin Powell, Technical Officers.

Stan Wilson continues to methodically curate the numismatic collection in an honorary part-time capacity and with great expertise; his valuable assistance is always much appreciated.

Under the direction of Dr Ian MacLeod (Head) and Dr Ian Godfrey (Curator), Department of Materials Conservation, the following conservators and volunteers have undertaken the conservation, restoration and environmental maintenance of artefacts from the Dutch shipwrecks: Alan Kendrick (DASET Grant), Rinske Car, Jon Carpenter, Carmela Corvaia, Richard Garcia, David Gilroy, Vicki Richards, Nicola King Smith; former employees David Kelly, Nancy Mills-Reid and Rodney van de Merwe; and volunteers Don Tulloch, Frank Digwood and Nell Ewert.

Staff of the Department of Exhibition and Design have continued to ensure that the Dutch material is well displayed at the Western Australian Maritime Museum, regional museums and travelling exhibitions; the work of Nigel Sabine (former Head of Display), and, in particular Annie Chandler and Jenny Moroney (Display Planners), Carol-Anne Cassidy (Display Designer), Jacques Maissin, Peter Lisiewich and others is much admired and appreciated by museum visitors from Australia and overseas.

Finally, we are especially grateful to Susan Cox for assisting with the preparation of this document and all persons in the Netherlands who continue to provide valuable information relating to the identification of the Dutch wreck material, answer numerous queries, participate in joint research projects and generally help us to better understand our Dutch wreck collections.

## Introduction

The Australian-Netherlands Committee on Old Dutch Shipwrecks (ANCODS) last met in 1985. Since then the work of documenting, conserving, researching and exhibiting the Dutch wreck collections has continued. In view of the time lapse since the previous meeting, this document will outline some of the main aspects of work undertaken in respect of the four Dutch shipwrecks - *Batavia* (1629), *Vergulde Draeck* (1656), *Zeewijk* (1727) and *Zuytdorp* (1712) - over the past five years.

As a requirement for the working session of the meeting, a catalogue of artefacts has been prepared. This includes:

- objects not previously seen and now ready for viewing and allocation;
- objects deferred from the 1985 meeting and now available for allocation;
- objects which have been conserved but require restoration - for viewing and consideration;
- objects recovered from post-1985 expeditions still undergoing conservation treatment; and
- objects acquired through private donation and/or confiscation under the provisions of the *Historic Shipwrecks Act, 1976*.

A list of post-1985 publications and unpublished reports referring to the Dutch wrecks is included at the end of the report as an indication of on-going archaeological investigation of the wreck sites both underwater and on land; management and research of the sites and collections; the use of the collections in major exhibitions; and, the contribution of the Dutch wreck programme to publications for use at primary, secondary, tertiary and post-graduate levels of education.

Details of archaeological work undertaken on the *Zuytdorp* wreck and land sites will be dealt with in a separate report by McCarthy. This report, however, will comment on some of the more interesting artefacts recovered during recent investigations.

## The Dutch artefact collection

### STATUS OF COLLECTION

Date	<i>Batavia</i>	<i>Vergulde Draeck</i>	<i>Zuytdorp</i>				<i>Zeewijk</i> Wreck / Land	Colonial wrecks
			Wreck	Coin	Land	Coin		
Pre-1980		1033					5438	
1981		287					14	
1982		50						
1983		267						
1984		7					1	
1985		69					2	
Pre-1986			70		43			
1986		21	9	6	28	2		
1987		1	96	7	498	2	1	
1988	[At 30/6/88] 5626	19	181	22	-	-	1	[At 30/6/88] 7735
1989	78	11	-	-	-	-	1	66
1990	1	1	-	-	2	-		52
1991	9	5	11				18	464
<b>TOTAL</b>	<b>5714</b>	<b>1771</b>	<b>367</b>	<b>35</b>	<b>571</b>	<b>4</b>	<b>5476</b>	<b>8317</b>
<b>COMBINED TOTAL DUTCH</b>								<b>13938</b>
<b>COMBINED TOTAL DUTCH AND COLONIAL</b>								<b>22255</b>
<b>DUTCH% OF TOTAL COLLECTION</b>								<b>61.28%</b>

Table 1. Status of Dutch wreck collections.

[Note: Figures based on registration entries not individual numbers of objects].

The Dutch wreck collection now comprises 61.28% of the historic shipwreck collection at the Western Australian Maritime Museum (Table 1). During 1981 to 1985, archaeological excavation of the *Vergulde Draeck* site contributed to the increase in the collection. Since 1986, additions have been primarily associated with excavation work on the *Zuytdorp* wreck site and its associated land site components. A few artefacts, mainly ceramics, have come from inspection trips to the *Batavia* site while a small number of objects have been acquired through donation of privately registered and/or inherited material, non-registered material and confiscated material.

#### REGISTRATION

In 1988, the Department of Maritime Archaeology acquired a Macintosh SE computer. This not only proved to be easier to use than the existing main frame computer (now totally dispensed with), but the software programs were more versatile and more suited to our varied needs. It soon became apparent, however, that in order to deal effectively with large databases the basic SE computer lacked both the internal memory and data storage capacity. In 1990, with assistance from the Commonwealth Government (DASETT) Historic Shipwrecks Grant, a Macintosh SE 30 was purchased together with a Laserwriter II NT. An Optical hard disc has recently been added to the hardware system now facilitating archival storage of data.

Existing databases were transferred from the old computer system but require re-formatting in order to standardise the entry formats and enable data files to be cross-referenced. Development of the database is underway using an Omnis 5 relational database program. It is then hoped that the computer registration system, with the potential for incorporated graphics, will obviate the need for the artefact card catalogue system and possibly, in time, the written archival registers.

#### CONSERVATION AND RESTORATION

##### **Report on conservation and restoration**

**Dr Ian MacLeod**

*Head, Department of Materials Conservation, Western Australian Maritime Museum*

The conservation of Dutch artefacts has proceeded at an irregular pace due to reductions in the number of staff and to changes in the personnel. Assistance has been obtained from the Commonwealth Government (DASETT) who have supported Alan Kendrick for one day per week in the conservation of waterlogged organic materials. Increased funding from DASETT would allow more staff time, through the appointment of contract staff, to be devoted to the conservation of material awaiting treatment and would also facilitate the monitoring of treated items. A total of eight conservation staff are involved, in varying degrees, with the treatment of the Dutch wreck material.

The monitoring of the display and storage conditions for the Dutch artefacts requires continuing commitment and eternal vigilance since research on the problems of deterioration of archaeological materials has shown that, even after treatment, they are prone to decay as a result of improper environmental conditions. An example of this has been the problems of acidification of the *Batavia* structural timbers. Metal objects made of copper and its alloys are also prone to corroding in certain display case environments.

An example of the specialised display requirements needed for delicate archaeological materials is the case of the small gilded silver cherub (BAT 3603). David Gilroy designed a special form-fitting perspex display case, filled with argon, to protect the sensitive object from possible corrosive agents in the display case.

##### *Cannon balls and cannon*

At present 600 cannon balls are awaiting conservation treatment and a further 580 balls are undergoing final desalination following their treatment in the hydrogen reduction furnace by Jon Carpenter. Apart from the iron cannon undergoing treatment by sacrificial anodes, three *Batavia*

cannon with broken muzzles are being stored in alkaline solution which slowly desalinates them. Until increased funding allows us to purchase more control units, or modify the existing plant, we will not be able to treat these items for several years. The *Zuytdorp* cannon recovered in 1988 is undergoing electrolysis and the information obtained from analysis of the gases and liquids trapped inside the sealed artefact has helped provide a better understanding of the corrosion mechanism of such items in aggressive marine environments. The *Zuytdorp* anchor is undergoing electrolysis treatment and many parts of the surface still retain vestiges of original workmanship.

The treatment of the *Batavia* iron cannon (BAT 8720) began in its concreted state in October 1986. The application of a sacrificial anode, to provide twelve months pre-treatment before deconcretion, resulted in a surface that, although extensively degraded, retained the archaeological information. A total of 5 500 grams of chloride ions have been removed from the cannon over five years.

#### *Non-ferrous metals*

Approximately 5 500 *Zuytdorp* coins have been conserved and only a few hundred remain to be treated. By conserving all the items it has been possible to find several rare coins that relate to the problems of inflation, etc. A series of pewter plates and funnels and a chalice have been treated and a large number of lead artefacts such as ingots and sheathing have been affectively stabilised. By adopting an excavational approach to the deconcretion of complex matrices recovered in the 1987/88 season it has been possible to save the impressions of items such as hammers from pistols.

Treatment of a brass tobacco box has shown that the *Zuytdorp* land site was very corrosive because of the high concentration of salts in the ground water. Bronze and brass artefacts from the wreck site, including sets of dividers, upholstery tacks (tufting nails), breech blocks, astroabe parts, etc. have all been stabilised. However, there is a continuing programme of monitoring the treatment solutions to ensure that these degraded items are conserved in the best possible condition. This work has been carried out by Vicki Richards and a dedicated band of volunteers that included Don Tulloch, Frank Digwood and Nell Ewert.

Currently the bronze cannon (BAT 3639) from HMAS *Stirling* is being desalinated and in the twenty-two months of washing a total of 960 grams of chloride ions have been removed. The cannon should be stabilised within twelve months.

#### *Waterlogged wood*

Vicki Richards is continuing her research programme in studying the decay of iron-impregnated waterlogged oak timbers from the wrecks of the *Batavia* and *Vergulde Draeck*. The results have been reported at international conferences and have resulted in other people adopting our revised treatment schedules. Her analysis of the interactions of metal ions and archaeological timbers is providing a new insight into the degradation processes and will lead to improved conservation treatments. In conjunction with Alan Kendrick a detailed monitoring programme of the *Batavia* timbers has been instigated. It is essential that these highly prized and inherently unstable materials be properly maintained.

Alan Kendrick has nearly completed a trial run of three *Batavia* iron canister shot which are composite mixtures of iron and wood. Prior to his intervention and the research results from Vicki Richards' study of such items, these objects had been deemed too difficult to treat. The results of the trial are eagerly awaited and if successful the other thirty canister shot will be treated. A highlight of the careful excavation of *Zuytdorp* concretions has been the recovery of a large number of sword handles which are composites of wood, leather and brass. The treatment of the first batch of these items is almost complete.

Alan Kendrick has totally reorganised the record-keeping system for the waterlogged organic materials in the wet laboratory and this has resulted in improved efficiency and cost-effectiveness of the treatment programmes. In conjunction with Ian Godfrey the treatment of the last batch of *Batavia* structural timbers, along with some oak ribs from the *Vergulde Draeck*, is nearing

completion. After impregnation the timbers will then be dehumidified for a period of between 8-12 months.

Six *Vergulde Draeck* concretions are still being excavated and some wood remains in storage. This includes sections of billet boxes and two large barrels. Artefacts in treatment include barrel staves, seeds and a sword handle. The bulk of Dutch material in the wet laboratory is from the *Zuytdorp* expeditions of 1987 and 1988. Most of these artefacts are in advanced stage of treatment, some have been successfully freeze-dried. Most *Zuytdorp* artefacts have required time consuming deconcretion, several delicate sword handles are still at this stage.

Several substantial *Zeewijk* wooden artefacts are still in storage or treatment. These include a nail keg now believed to be a 19th-century addition to the site.

### *Textiles*

Although the amount of textile materials recovered from the Dutch wrecks is limited, some superb examples of silk knitted socks or stockings have been conserved and displayed on special forms that allow safe handling of these incredibly delicate materials. The work done by Rinske Car and Nicola King Smith on these objects ensured their safe display and transit during the Australian Bicentennial *Shipwreck!* exhibition.

### *Replicas*

Although the department has the necessary skills amongst its staff for producing replicas to a very high standard, it has not been possible to respond to the requests for all the replicas owing to the high cost of the moulding resins and the very large amount of time that is needed to ensure faithful replication of the object.

As part of the public outreach programme David Gilroy fabricated solid bronze replicas of the *Batavia* astrolabe and the *Zuytdorp* swivel gun. The amount of time involved in the faithful reproduction of detail is considerable. Richard Garcia fabricated the iron swivel support and tiller for the gun as well as the tampion and the display mount.

### *Glass and ceramics*

Desalination of 12 tubs of bottles and ceramic materials was completed and more than 85 wash solutions were changed in the last 12 months. Amongst the technically difficult tasks completed by Carmela Corvaia was the removal of degraded 'soluble nylon' from a *Batavia* majolica jar. The object was then consolidated with a more stable resin and the delaminated glaze was reattached. Reconstruction of several pieces of blue and white porcelain from the wreck of the *Zuytdorp* was completed.

## **Report on the conservation of organic materials**

**Dr Ian Godfrey**

*Curator, Department of Materials Conservation, Western Australian Maritime Museum*

As problems still exist with regard to the method of conservation treatment of waterlogged organic materials some artefacts (leather, ivory tusks, textile) remain untreated. Problem areas include the development of techniques for the long term stabilization of waterlogged leather, the removal of iron corrosion products from rope, leather, wooden and bone/ivory artefacts and the treatment of large waterlogged ivory artefacts. Research is currently being carried out in all of these areas. A rope treatment, recommended by Hawley, (1989) has been tested (Godfrey and King Smith, 1990) and found to be successful in treating both highly degraded and relatively sound waterlogged rope.

### *Leather*

Research is continuing into the conservation of waterlogged leather with a view to linking the degree

of degradation of leather with the most appropriate treatment. A preliminary report of this research has been published (Godfrey and Richardson, 1990). The next phase of the research programme involves the accelerated ageing of vegetable-tanned leather, an examination of changes in chemical composition (via FT-IR spectroscopy) during ageing and an investigation into the effectiveness of treatments applied to leather exhibiting varying degrees of degradation. Until this programme is successfully completed, any treatments carried out on leather artefacts should be regarded as temporary. Artefacts that have been treated this year (GT 3102, GT 3103, GT 3104, GT 3105, GT 3107, GT 3136, GT 3147, GT 4097, GT 4112, GT 4127, GT 4147) are stable, despite the fragile nature of some of them, but may have to be retreated in the future when more appropriate treatments are developed.

### *Ivory*

An investigation is currently being carried out into the chemical cleaning, consolidation and drying of waterlogged ivory. This material is notoriously difficult to conserve due to the difficulty of the consolidant penetration and the physical stresses that occur during drying. Until a suitable procedure has been developed the large and extremely valuable tusks will not be treated. They are, however, able to be viewed whilst in storage.

### *Textiles*

A small piece of iron-impregnated textile (GT 4088), previously treated as leather, has proven to be a composite textile made up of silk and wool. This artefact will be treated to remove iron corrosion products when research into this treatment has been completed.

### REFERENCES

- Hawley, J.K., 1989, The conservation of waterlogged rope from a sixteenth century Basque whaling ship. In I.D. MacLeod (ed.), *Conservation of Wet Wood and Metal*, 19-37.
- Godfrey, I.M. and King Smith, N., 1990, Conservation of degraded rope from marine archaeological sites. *Bulletin of the Australian Institute for the Conservation of Cultural Material*, 16:93-107.
- Godfrey, I.M. and Richardson, G.W., 1990, Analysis of waterlogged leather using Fourier transform infrared (FT-IR) spectroscopy - a preliminary study. *Bulletin of the Australian Institute for the Conservation of Cultural Material*, 16:73-84.

### REPLICATION PROGRAMME

At previous meetings, ANCODS delegates from the Commonwealth and The Netherlands have from time to time requested replicas of objects of special interest. A list of these items is attached as Appendix 1 to this report. Apart from the replicas listed as being available, no further replicas have been fabricated as questions related to staff availability and cost of manufacture do not appear to have been resolved. The issue will need to be reviewed by ANCODS. [See comments by MacLeod this report.]

### EXHIBITION AND DISPLAY

#### *WA Maritime Museum*

Since the previous ANCODS meeting, new displays of Dutch shipwreck material have been opened in the Dutch Gallery at the Western Australian Maritime Museum. The displays focus on the VOC and the shipwrecks *Vergulde Draeck*, *Zeewijk* and *Zuytdorp* with some *Batavia* exhibits. A small section of the gallery, the 'Interchange' area, is reserved for temporary displays exhibiting special features of the Dutch wreck collections. To date these have featured displays on the textiles recovered from the shipwrecks, objects associated with medical care on board, the equipment related to gunnery and newly recovered objects from the *Zuytdorp*.

The exhibition and design planning was undertaken by the former Head of Exhibition and Design, Nigel Sabine, together with Annie Chandler (Display Planner), Carol Anne Cassidy (Display Designer) and support from display technicians and artificers. During the preparatory period, Fairlie Sawday was seconded to the Department of Exhibition and Design to assist with the documentation,

location, conservation and handling of the artefacts, while maritime archaeology curatorial staff prepared background information for use in the interpretation of the displays and objects. One of the objectives of the displays was to satisfy public demand in terms of the quantity of material recovered from the shipwrecks. To this effect, numerous broken sherds and multiples of similar objects are incorporated into the displays.

The reconstruction of the *Batavia* hull timbers has been completed with Geoff Kimpton due credit for carrying out the major part of this work. Structural alterations have been undertaken in the gallery (Geoff Kimpton) to improve public viewing of the hull reconstruction from the 'Viewing Deck'. Exhibition planning is underway for the *Batavia* Gallery but minimal CRF funding (\$6000 p.a.) presently prohibits any implementation of major feature displays.

In order to manage the large number of individual items now on permanent and/or temporary display, a computer database has been set up and is maintained by Fairlie Sawday. The exact museum, gallery and show-case location of each individual artefact is now easily available and the movement of artefacts can be efficiently monitored. Dutch artefacts on display at the Branch Museums at Albany and Geraldton, and the Maritime Museum at Fremantle are currently in the order of *Batavia* 520, *Vergulde Draeck* 365, *Zuytdorp* 135 and *Zeewijk* 413 totalling 1433 specimens (excluding *Batavia* hull timbers and coin displays).

#### *The Australian Bicentennial 1988*

Dutch shipwreck artefacts featured prominently during Australia's Bicentennial in 1988. Australia Post produced a set of four stamps illustrating the *Batavia* astrolabe and wooden lace bobbins, a beardman jug from the *Vergulde Draeck* and scissors and a shoe buckle from the *Zeewijk*. The collection was accompanied by a booklet entitled *Navigators and shipwrecks: Australia's heritage in stamps* (Hogarth, 1985) which included photographs of additional artefacts and contextual information concerning the four Dutch wrecks.

Dutch shipwreck artefacts provided a major focus of the Australian Bicentennial exhibition *Shipwreck!*, launched at the Western Australian Museum in March 1988 by the Prime Minister of Australia, Bob Hawke (Hogarth, 1988). After touring Australia throughout the Bicentennial, the exhibition was taken to the Prins Hendrik Museum, Rotterdam, where it was displayed in 1989.

The Department of Materials Conservation (Western Australian Museum) undertook all preparatory conservation and restoration work of the exhibits for *Shipwreck!*, monitored the condition of each item closely and designed the packaging systems for the transportation of the objects. The innovative design of the support packaging for fragile objects (Corvaia, 1989a and 1989b) received commendation from the managers of the exhibition (International Cultural Corporation of Australia Limited) and curators and conservators from interstate host museums.

#### *Western Australian Museum Centenary*

The de Vlamingh plate and other Dutch artefacts are currently featuring in the Western Australian Museum's Centenary Exhibition *Treasures of the Collection*, now on display at Albany.

TRANSFER OF COMMONWEALTH COLLECTION TO THE AUSTRALIAN NATIONAL MARITIME MUSEUM  
movement of artefacts can be efficiently monitored. Dutch artefacts on display at the Branch Museums at Albany and Geraldton, and the Maritime Museum at Fremantle are currently in the order of *Batavia* 520, *Vergulde Draeck* 365, *Zuytdorp* 135 and *Zeewijk* 413 totalling 1433 specimens (excluding *Batavia* hull timbers and coin displays).

#### *The Australian Bicentennial 1988*

Dutch shipwreck artefacts featured prominently during Australia's Bicentennial in 1988. Australia Post produced a set of four stamps illustrating the *Batavia* astrolabe and wooden lace bobbins, a beardman jug from the *Vergulde Draeck* and scissors and a shoe buckle from the *Zeewijk*. The collection was accompanied by a booklet entitled *Navigators and shipwrecks: Australia's heritage in stamps* (Hogarth, 1985) which included photographs of additional artefacts and contextual information concerning the four Dutch wrecks.

Dutch shipwreck artefacts provided a major focus of the Australian Bicentennial exhibition *Shipwreck!*, launched at the Western Australian Museum in March 1988 by the Prime Minister of Australia, Bob Hawke (Hogarth, 1988). After touring Australia throughout the Bicentennial, the exhibition was taken to the Prins Hendrik Museum, Rotterdam, where it was displayed in 1989.

The Department of Materials Conservation (Western Australian Museum) undertook all prepara-

## **BATAVIA (1629)**

### **Recent work and events**

#### **VISITS TO BEACON ISLAND**

In 1986 and 1989 two short expeditions were made to Beacon Island, Houtman Abrolhos. The first was undertaken with students of the Post-graduate Diploma Course in Maritime Archaeology (Curtin University of Technology) as part of the field-work requirement for the course. Students carried out a variety of projects several of which were directly related to research concerning the *Batavia*. These included:

- a re-survey of Beacon Island for the purpose of mapping land archaeological sites and historic structures, and for studying coastal geomorphological changes to the island which may have a bearing on the survival of the 17th-century archaeological record;
- a survey of historic structures on West Wallabi Island i.e. the coastal and inland limestone structures at Slaughter Point (Orme and Randall, 1987);
- an experimental project designed to test the effect of physical and environmental variables on the movement of bricks and ceramic artefacts from the *Batavia* wreck site over time with the aim of providing an explanation for the spatial distribution of this material in the inside reef area and the way in which the material has broken up (Garrett and Prince, 1986). [This project is on-going.]

The 1989 expedition consisted of a small team of museum personnel. The wreck site was inspected and underwater filming carried out for the British Broadcasting Corporation. Errors in the previous mapping of Beacon Island by students were corrected by a theodolite survey of the island and, with the aid of informants, the sites of previous archaeological recovery (e.g. skeletal material) were re-identified. In the inside reef area, recordings were made of the positions of pottery and bricks in the experimental survey grid and searches for new material carried out. A large iron object (BAT 80361 ff), possibly a rudder gudgeon or pintle, was located, raised and brought to Fremantle for identification and conservation.

#### **SITE MANAGEMENT**

##### *Abrolhos Islands Planning Strategy*

The Abrolhos Islands Task Force was commissioned by the Abrolhos Island Consultative Committee and the State Government to prepare a planning strategy for the Abrolhos Islands, and report to State Cabinet by 31 July, 1988. The major aim of the strategy was to resolve conflicts between fishing, tourism and conservation around the Abrolhos Islands which are classified as a Class 'A' Reserve for the purpose of 'Conservation of Flora and Fauna, Tourism and Purposes associated with the Fishing Industry'.

As a submission to the Task Force, a report on the historic land sites in the Houtman Abrolhos was prepared by Green and Stanbury (1988). Recommendations were made concerning the management strategies for the land sites in the Abrolhos area, in particular those directly related to the VOC shipwrecks *Batavia* and *Zeewijk* which are both located within this region. These were incorporated in the final planning strategy document produced by the Abrolhos Islands Task Force (1988, 3.2.3. 'Areas of Historic Significance: 22-23) with maps indicating the positions of significant historic sites (AITF, 1988, Figures 4(b) and 4(d)).

The Abrolhos Islands Consultative Council has now agreed to draw up a Code of Conduct for visitors to the islands and have sought recommendations from the Department of Maritime Archaeology with respect to the historic sites in the Abrolhos. These have been incorporated in a report (Stanbury, 1991). Insofar as the Dutch shipwrecks *Batavia* and *Zeewijk* are concerned, recommendations have been submitted with the aim of ensuring the protection (i.e. non-interference) of significant sites underwater and on land. [The land sites on Beacon Island, West Wallabi, Gun Island etc. are protected under the State *Maritime Archaeology Act 1973*.]

Recommendations have also been made to the Abrolhos Islands Consultative Council for the establishment of a historic shipwreck/sites Heritage Trail but a response from this body is still



pending. With the passing of the Western Australian *Heritage Act 1990* a Heritage Council has been set up to deal with the protection of significant historic sites both in the built and physical environment.

#### DOCUMENTARY FILMS

In 1989/90, Ray Sutcliffe of the BBC Chronicle series made a documentary film on the *Batavia*. The film had its first viewing on BBC television in May 1990 and recorded the highest rating of viewers for films in the Chronicle series. The *Batavia* film is a fitting finale to an excellent series of well-produced films on archaeology. [The series has been discontinued due to the death of the Director and restructuring within the BBC.] A video of the film is available for public viewing in the Maritime Museum but copyright negotiations for Australian television and/or other public viewing are still pending.

Filming was also undertaken in late 1990 by a Dutch filmmaker (VARA Television: 'Boudeuijn Büchsworld' series) and in early 1991 by an Australian team commissioned by Dutch film maker Jan Dorresteijn of Veronica Broadcasting.

#### RECONSTRUCTION OF THE *BATAVIA* HULL TIMBERS

Work on the *Batavia* hull reconstruction progressed well during 1986 culminating in the completion of the transom. The former Premier, Mr Brian Burke, recommissioned the *Batavia* at a ceremony at the WA Maritime Museum in January 1987. Work was suspended during the period of the America's Cup in Fremantle in order that the upper and lower levels of the *Batavia* Gallery could be open to the public. In April 1987, work resumed with further documentation of the ship's timbers and recording of the lines of the reconstruction. Some minor set-backs were caused by a bacterial infection of the timber which caused surface acidity and deterioration of the wood. The forward section of the hull reconstruction had to be disassembled and sent out for treatment. The bacteria problem was solved but these timbers are in need of surface treatment for cosmetic purposes. One further storage tank of timber was located and treatment will not be finished until the end of 1991 (see MacLeod this report).

As of 1 July 1987, staffing cuts reduced the number of personnel working on the conservation and reconstruction by 3 1/2 people, with a further reduction of one person in March 1988 with the resignation of Paul Hundley. Since that time, Geoff Kimpton has been responsible for completing the reconstruction work with assistance from part-time contract employees (Brad Duncan, Andrew Pinchen, Alan Kendrick and Tom Vosmer) as required.

By the end of 1989 the assembly of the port side hull planking, frames and gun port section was completed. However, it was necessary to disassemble the timbers in order that the steel framework could be sand-blasted and coated with an epoxy-based anti-corrosion sealant. This work was carried out in June 1990, enabling the final phase of the hull reconstruction to proceed. Apart from some cosmetic work and the future addition of small stern timbers still undergoing conservation treatment, the reconstruction of the *Batavia* hull is now completed.

#### THE *BATAVIA* HULL STRUCTURE RESEARCH

In 1988, Jeremy Green spent three months in the Netherlands, at the invitation of the Director of the 'Büchsworld' series) and in early 1991 by an Australian team commissioned by Dutch film maker Jan Dorresteijn of Veronica Broadcasting.

#### RECONSTRUCTION OF THE *BATAVIA* HULL TIMBERS

Work on the *Batavia* hull reconstruction progressed well during 1986 culminating in the completion of the transom. The former Premier, Mr Brian Burke, recommissioned the *Batavia* at a ceremony at the WA Maritime Museum in January 1987. Work was suspended during the period of the America's Cup in Fremantle in order that the upper and lower levels of the *Batavia* Gallery could be open to the public. In April 1987, work resumed with further documentation of the ship's timbers and recording of the lines of the reconstruction. Some minor set-backs were caused by a bacterial infection of the timber which caused surface acidity and deterioration of the wood. The forward section of the hull reconstruction had to be disassembled and sent out for treatment. The bacteria problem was solved but these timbers are in need of surface treatment for cosmetic purposes. One further storage tank of timber was located and treatment will not be finished until the end of 1991 (see MacLeod this report).

As of 1 July 1987, staffing cuts reduced the number of personnel working on the conservation and reconstruction by 3 1/2 people, with a further reduction of one person in March 1988 with the

In June/July 1990, Geoff Kimpton, Senior Technical Officer in charge of the *Batavia* reconstruction, spent one month in Lelystad working with the New *Batavia* Project team (Kimpton, 1990). The aim of his study programme was to obtain information and measurements of various stern and internal structures; to study the rigging, equipping and loading of the ship; and, to examine the methods of mounting guns, so that this information can be used in the display planning phase to make the reconstruction more understandable to the public.

From December to February 1990 Robert Parthesius, Archaeological historian to the New *Batavia* Project, Lelystad, studied and recorded the lines of the hull of the original *Batavia* as part of a joint comparative study of the original ship and the modern replica being undertaken with Jeremy Green. It is hoped that this reciprocal research exchange between the Netherlands and Australia will be developed further (see Green, this report).

#### ARTEFACT RESEARCH

A monologue on the *Batavia*, including a catalogue of the artefacts has been published by Green (1989). While this document provides a very comprehensive coverage of the collection it is recognised that there are many avenues of research yet to be explored, in particular questions involving the study of archival sources and scientific analysis of the artefacts, and comparative analysis with artefacts from other VOC shipwrecks.

#### *Iron guns*

External and internal measurements were taken from conserved iron guns by Jeremy Green and Robert Parthesius guns using a specially designed instrument made by Geoff Kimpton. The measurements have been used to compile detailed computer drawings of the guns. The information will be used by the New *Batavia* Project, Lelystad, to make replica guns for the modern replica.

#### *Land site collections*

To date, only preliminary analysis of the land archaeological assemblages from Beacon Island and West Wallabi Island have been carried out (Bevacqua, 1974a and 1974 b) some limitations in the analysis and interpretation of this material being imposed by the inadequate or non-existent original documentation associated with pre-1970 investigations and excavations. A controlled archaeological survey and test excavations on Beacon Island would be a worthwhile research project for the future. But, until the present seasonal occupation of the island by crayfishermen ceases and the buildings are removed it is unlikely that such exploration will be able to proceed.

No detailed study has yet been made of the human skeletal material recovered from Beacon Island (or Gun Island). The latter offers potential for a joint Australian-Netherlands research project, given the physical anthropological studies undertaken by George Maat from the University of Leiden, Netherlands, on human remains recovered from the Dutch whaling stations on Spitzbergen.

#### REFERENCES

- Bevacqua, R., 1974a, *Report of a test excavation on Beacon Island*. Report - Department of Maritime Archaeology, Western Australian Maritime Museum, No. 1.
- Bevacqua, R., 1974b, *The Slaughter Point site: an archaeological investigation of a site associated with the Batavia shipwreck*. Report - Department of Maritime Archaeology, Western Australian Maritime Museum, No. 2.
- Green, J.N., 1989, *The AVOC retourship Batavia, wrecked Western Australia 1629. An excavation report and catalogue of artefacts*. British Archaeological Reports International Series No. 489.
- Maat, G.J.R., 1981, Human remains at the Dutch whaling stations on Spitzbergen. A physical anthropological study. In: A.G.F. van Holk (ed.), *Early European exploitation of the Northern Atlantic 800-1700*. Arctisch Centrum, Groningen.
- Maat, G.J.R., 1987, Osteology of human remains from Amsterdamøya and Ytre Norskøya. *Smeerenburg Seminar. Institutt Rapport serie*, 38: 35-54.

## VERGULDE DRAECK (1656)

### Recent work and events

Following the 1981-85 excavations, no further field-work has been undertaken on this site.

### Report on the artefact collection

The majority of the artefacts recovered during the 1981-85 excavations have now been conserved but detailed research and analysis of the various groups has not yet been carried out. There is still some outstanding organic material requiring conservation i.e. elephant tusks and leather. Delay in the treatment of these materials is due to concern over the long-term effectiveness of current techniques.

#### ORGANIC MATERIALS

##### Leather

Some problems still exist with regard to the method of conservation treatment for waterlogged leather and other organic materials. Hence, there is still some leather which remains untreated. Leather which has been conserved is being monitored in order to assess the effectiveness of the earlier treatments (see Godfrey, this report). Pieces of leather belts with associated brass baldric buckles and hasps seen by the Committee in 1985 have now been conserved (Godfrey) and will be available for allocation. Attempts to reconstruct the fragments of shoe leather in order to determine the style and sizes of the various shoe parts has not yet been attempted.

##### Wooden barrel and barrel staves

As yet, no attempts have been made to reconstruct the numerous fragments and sections of barrel staves. Valuable research data will be provided by such an exercise, enabling the *Vergulde Draeck*

GT	6100	6101	6102	6103	6104	6105	6106	6107	6108	6109	6110
Number	5	2	4 1/2	5 1/2	2 1/2	5	1	5 1/2	1	3	2
Description	pieces longest 1.5 m	Crate base section	Crate	Crate	Crate	Planks	Plank centre	Crate	Plank section	Crate end	End + plank
Notes	End PEG				Concreted						End PEG
Lid				Yes		Yes					
Cut w/saw			Yes	Yes							
Length	1.5 m max.	1.07 m	1.23 m	0.96 m	0.9 m	A2.99m B1.80m C2.06 m D2.98m	1.7 m	1.25 m	0.4 m	0.26 m	1.38 m
Height			19 cm					18.5 cm			
Width			23 cm	32 cm at end				28 cm			
Height with Lid			20 cm	20 cm	27 cm			20.5 cm			
Plank width-narrow			15.5 cm	17 cm 16 cm	16 cm	A17 cm C16 cm	17 cm	16.5 16.0 cm			
Plank width-wide		22 cm	22.5 cm	24.5 cm	25.5 cm	B23.7 cm D21.7 cm		23 cm			24 cm
Dist of straps from end		0.73 m	0.63 m	0.71 m	0.73 m	0.63 m 0.65 m		0.75 m			At join 0.74 m
Strap dist at centres						0.80 m 0.81 m	0.87 m				
End along grain	PEG 18.5 cm	16.5 cm	17.0 cm ?	18.5 cm	18 cm	16.5 cm		18 cm		18.5 cm	PEG 17 cm
End across grain	16.5 cm	Broken	16 cm	16 cm	16.5 cm ?	16.5 cm		16 cm		16.5 cm	16 cm

Table 2.1. Measurements of *Vergulde Draeck* billet crates (Sawday, 1991).

casks to be compared with those being studied from the VOC ship *Amsterdam* (Hulst, 1986).

### Textiles

A small piece of iron-impregnated textile, GT 4088 (previously thought to be leather), has proved to be a composite textile made up of silk and wool (see Godfrey this report). Very little in the way of textiles have been recovered from the *Vergulde Draeck* so this fragment is a valuable addition to the collection.

### Wooden billet crates

During the 1983 excavations a number of heavily concreted wooden billet crates were recovered from the wreck site. The large conglomerate of crates was initially stored in fresh water until an assessment could be made as to the most appropriate conservation treatment. Firstly, the crates had to be separated out of the large mass of concretion and the concretions attached to them excavated; small items were recovered from some of these. Long planks and items which had little concretion were then de-concreted and either placed back in the storage tanks or the dehumidifier to be slowly air-dried. Some fragments (GT 6120) were air dried only (i.e. not in dehumidifier) and are very friable. Two ends (GT 6100 and 6110) were impregnated with PEG and freeze dried but do not seem to have kept their shape as well as the air dried crates although they are less brittle.

The crates which appeared to be the most complete (GT 6117 and GT 6121) were treated next and several of the half crates de-concreted by hand inside and out - a labour intensive and time-consuming task involving several members of the conservation staff and volunteers. A decision was therefore made to use a mechanical saw to separate the tops off the crates and remove the internal concretion mechanically. Only a few pieces of iron billets were saved for treatment (GT 8038 from crate GT 6121).

GT	6117	6120	6121	6122	6124	6130	6131	6132	6155	6156	6157
Number	1	3	1 3/4	3	3 1/2	1	3 1/2	2	1		
Description	Full length crate		Crate	Crate end	Crate end	Plank	Crate	Complete crate	Plank	Lid frags	Misc frags
Notes	Display	Air-dried	Display Latch				AVOC Mark	1 end free			
Lid	No		No		Yes		Yes	No			
Cut w/saw	Yes		Yes		Yes		Yes			Yes	
Length	2.98 m	1.0 m	2.15 m	0.41 m	1.12 m	0.97 m	1.06 m	1.85 m	2.08 m		
Height	19 cm		20 cm		21 cm		19.5 cm	35 cm at strap 25 cm at end			
Width	28 cm		29 cm	22 cm at end	22 cm at end		26.5 cm	20 cm at end			
Height with Lid				20 cm	20 cm		21 cm				
Plank width -narrow	16 cm				16 cm	16.5 cm	16 cm				
Plank width -wide					1.0 24.5 cm		26 cm		22.5 cm		
Dist of strap from end	0.58 m		0.66 m		0.80 m	0.64 m	0.695m 0.67 m	0.50 m 0.52 m	0.655 m	c. 0.73 m	
Strap dist at centres			0.60 m?					0.83 m	0.82 m		
End along grain			18 cm	18.5 cm	18 cm		21 cm	21 cm			
End across grain			16 cm	17.5 cm	16 cm		17 cm	18 cm			

Table 2.2. Measurements of *Vergulde Draeck* billet crates (Sawday, 1991).

A selected crate (GT 6117) was measured in detail and used as an experimental control to monitor any shrinkage of the timber during the dehumidification process (Mills-Reid, 25 Nov. 1983: Laboratory records). From the dehumidifier, the crates were stored in the controlled environment of the *Batavia* Gallery at the Maritime Museum.

Details of the crates have been recorded by Sawday (Tables 2.1 and 2.2) giving some indication of the sizes of the crates. Observations of the billet crates show them to have been constructed from four 25 mm to 30 mm thick planks of timber and two end pieces. The top and bottom planks are wider than the side planks (e.g. c.245 mm vs 170 mm for crate GT 6105), the latter fitting between the top and bottom planks to form the long narrow crate (see Fig. 1). Square-shanked iron nails (4 mm<sup>2</sup> and c. 50 mm long) were used to fasten the planks at intervals along the length of the crate. It was then reinforced with c. 30 mm wide iron straps, one being placed around the entire length of the crate with two or three around the body of the crate depending on its length. The straps were also fastened with 4 mm<sup>2</sup> square iron nails but of shorter length (20 mm).

Measurements suggest that there are two sizes of crates in this collection: the longest ones are about 2.99 m in length (e.g. GT 6105 and GT 6117) and the shorter ones about 1.85 m long (as indicated by the complete crate GT 6132). Evidence of a latch or lock was apparent in the concretion from the top plank of GT 6121. One end of crate GT 6131 bears the AVOC mark.

Remains of the iron billets, often used as paying ballast, indicate these to be 30 mm x 10 mm in cross section and of lengths comparable to the lengths of the crates (i.e. 1.85 m and 2.9 m). Some crate material still remains untreated and undocumented.

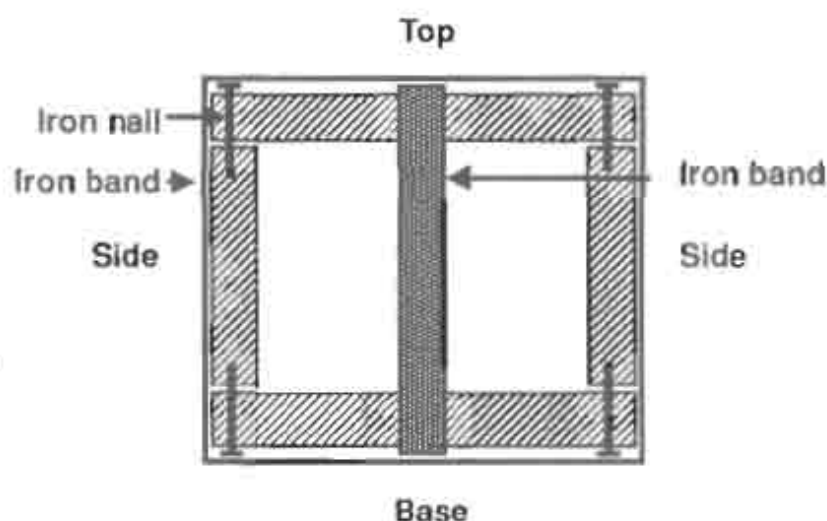


Figure 1. Diagrammatic sketch of the construction of the billet crates.

[NB. it is not known whether the longitudinal iron strap was placed above or below the horizontal ones.]

#### CERAMICS: REDWARES

Ceramic conservator Rod van de Merwe and his successor Carmela Corvaia, have worked steadily with the conservation and reconstruction of the redwares including various types of glazed skillets, pipkins, jugs, cups, plates and *testje*. This is the most comprehensive collection of redware from the four Dutch wrecks and compares with a collection, probably a cargo, recovered from the Esselholm wreck, (a possible Dutch wreck), at Esselholm, Snappertuna, in the Tammisaari archipelago Finland (Forsell, *et al.*, 1985: 47). The preparation of a detailed catalogue of this collection is underway.

#### REFERENCES

- Forsell, H., *et al.*, 1985, *Sea Finland* The National Board of Antiquities of Finland.  
 Hulst, R., *et al.*, 1987, *Casks as a packing material: an archaeological typology and historical reconstruction*. In: J.H.G. Gawronski (ed.), *V.O.C. Schip Amsterdam 1986. Annual Report of the VOC-Ship "Amsterdam" Foundation 1986*. Amsterdam: 73-85.

## ZEEWIJK (1727)

### Report on the artefact collection

#### STONEWARE JUG (ZW 5580)

In 1988, a complete stoneware jug (ZW 5580) was added to the collection by donation. The jug was found c. 1906 by the late Captain Alfred Davies who was the manager of Francis Broadhurst's guano works on Pelsaert Island. The jug is significant inasmuch as it is one of the very few complete jugs recovered from this shipwreck. It also illustrates an apparent decline in skill or technique in the manufacture of stoneware jugs: it is rather crudely made and lacks the detailed ornamentation of the jugs recovered from the *Batavia* and *Vergulde Draeck*. The jug is on display in the Maritime Museum.

#### WINE GLASS WITH SILVER COLLAR (ZW 1100/ZW 1084)

A large number of artefacts from the *Zeewijk* are now on display at the Maritime Museum. During the preparation of these displays an interesting observation was made with respect to a small engraved silver collar (ZW 1100) holding together the broken stem of a plain wine glass (ZW 1100 and ZW 1084). The hallmark on the collar bears the maker's initials 'AJJ', a Lion passant (indicating sterling silver), an uncrowned Leopard's head (London) and a letter date 'N' in a shield representing the year 1888-9. This clearly indicates the collar has been added to the glass subsequent to its discovery.

In 1879, the Deputy Surveyor-General John Forrest went ashore on Gun Island to investigate the guano deposits. He found the 'old encampment' of the *Zeewijk* party and recovered, among other objects, a broken wine glass. When substantial discoveries were made on Gun Island in the 1890s by Charles Broadhurst, Forrest added his finds to their collection which was purchased by the State Government in 1895. While the provenance of the individual objects was not detailed, it seems likely that this unique wine glass was restored by Forrest by the addition of the silver collar in 1888, probably as a memorable keepsake.

In 1990, research in the Guildhall Library, London (Stanbury) enabled the maker of the silver collar to be identified as Arthur John Iveson, a London silversmith (recorded 29.0.1879 to 23.4.1895) who specialised in this type of work, although he would normally have applied his silver collars to pipes (Culme, 1987: 252, Marks 818-822).

#### REFERENCE

Culme, J., 1987, *Directory of gold and silversmiths, jewellers & allied traders 1838-1914*. Woodbridge:.

#### BUCKLE FRAME AND CHAPE (ZW 1727)

The material composition of this buckle, which featured on the Bicentennial stamp series, was for some time undetermined: whether it was pewter or silver could not be easily discerned. Both the buckle and chape were examined under SEM. The microscopic structure of the chape and frame confirmed that they had both been cast. While the major metals present in the chape were copper and zinc, the buckle frame showed traces of silver, bismuth and lead in the more exposed (raised) sections along with tin and antimony; the depressed sections contained mainly lead, copper and zinc. This would appear to indicate that the buckle was tinned and hence possibly represents an innovative phase in 18th-century metal-working.

#### BARREL OF IRON NAILS (ZW 5581)

In 1978, a small wooden barrel was raised from the Pelsaert Lagoon from Area B of the *Zeewijk* inside reef survey area (Ingleman-Sundberg, 1978). The keg, along with six others had been located during the 1976 survey (Ingleman-Sundberg, 1976) but left in situ at that time. During recent conservation treatment (Kendrick), the keg was found to be filled with iron nails which did not appear to be compatible with the date of the *Zeewijk*: the nails are 'wire' nails with evidence of die grips around the necks and conform to a broad date range of 1850s-1880s (Varman, 1991, pers. comm.). Even though material identified as belonging to the *Zeewijk* was found in the same vicinity, it is clear, in

retrospect, that the keg has come from a mixed archaeological assemblage i.e. a deposit containing 18th and 19th-century artefacts.

From archival sources, it is known that the 21-ton colonial schooner *Venus* (1850) was wrecked somewhere in this region, the survivors making their way to nearby Middle Island (Henderson and Henderson, 1988: 3-7). The wreck site, however, has never been located. It is possible, therefore, that the kegs of nails together with associated iron bars, two iron guns, timber and ceramics from adjacent areas, which were previously assumed to be from the *Zeewijk*, are in fact from a vessel of the mid 19th century, possibly the *Venus*.

These findings warrant a closer examination of the archaeological material recovered from the Pelsaert Lagoon and a re-inspection of the underwater site to confirm the suggested evidence from the nail.

#### REFERENCES

- Henderson, G. and K.J., 1988, *Unfinished voyages. Western Australian shipwrecks 1851-1880*. University of Western Australia Press, Perth.
- Ingleman-Sundberg, C., 1976, *The VOC ship Zeewijk 1727. Report on the 1976 survey of the site*. Report - Department of Maritime Archaeology, Western Australian Maritime Museum, No. 5.
- Ingleman-Sundberg, C., 1978, *The Dutch East Indiaman Zeewijk wrecked in 1727: a report on the 1978 expedition to the site*. Report - Department of Maritime Archaeology, Western Australian Maritime Museum, No. 10.
- Varman, R.V.J., 1991, Personal communication.

#### RESEARCH

Research data relating to the identity and significance of the collection is being accumulated in order that a more comprehensive publication relating to the archaeological work on this site can be produced.

##### *Asian ceramics*

A provisional catalogue of the Asian ceramic material from the *Zeewijk* was compiled by Harper and Stanbury in 1987 to provide background information for the display of this material. It is anticipated that this will provide the basis for a publication on these artefacts.

##### *Glassware*

The glassware collection from the *Zeewijk* also offers interesting research potential. The early part of the 18th century saw great changes in the Dutch glass industry. As tastes altered and English lead glass became increasingly more popular, domestic production of fine glass rapidly declined. By 1725, two years before the *Zeewijk* was wrecked, many glassworks in the north of Holland had stopped making fine glass. Dutch craftsmen, however, became highly skilled in engraving techniques developing many indigenous decorative devices. The development of the new potash-lime and potash-lead glasses in the late 17th century greatly facilitated the engravers' craft and this is evidenced in the *Zeewijk* collection of tumblers.

The wine glasses from the *Zeewijk* appear to represent a mixture of domestic and imported glassware, many pieces having the clear lustre of English lead glass, while others have the more cloudy appearance of lime glass. A wine glass stem ( ZW 3102), an amethyst (solarised glass) tumbler base (ZW 2063), an 'onion' wine bottle fragment (ZW 1873D) and a case bottle fragment (ZW 3000) were recently analysed qualitatively using energy dispersive x-ray analysis with the results as follows:

- Ingleman-Sundberg, C., 1976, *The VOC ship Zeewijk 1727. Report on the 1976 survey of the site*. Report - Department of Maritime Archaeology, Western Australian Maritime Museum, No. 5.
- Ingleman-Sundberg, C., 1978, *The Dutch East Indiaman Zeewijk wrecked in 1727: a report on the 1978 expedition to the site*. Report - Department of Maritime Archaeology, Western Australian Maritime Museum, No. 10.
- Varman, R.V.J., 1991, Personal communication.

#### RESEARCH

Research data relating to the identity and significance of the collection is being accumulated in order that a more comprehensive publication relating to the archaeological work on this site can be produced.

##### *Asian ceramics*

A provisional catalogue of the Asian ceramic material from the *Zeewijk* was compiled by Harper and Stanbury in 1987 to provide background information for the display of this material. It is anticipated that this will provide the basis for a publication on these artefacts.

##### *Glassware*

The glassware collection from the *Zeewijk* also offers interesting research potential. The early part of the 18th century saw great changes in the Dutch glass industry. As tastes altered and English lead

identification of the lead glassware in the collection. This information may then be of use in analysing the import and export trade of various types of glassware in the early 18th century.

Likewise, the large collection of onion-shaped 'wine' bottles and square-sided case bottles which became the hallmark of Dutch domestic production in the 18th century may be considered from several research perspectives - social, cultural, economic and technological. For example, the *Zeewijk* bottles reflect the wide social use of glass bottles in the Netherlands during the early 18th century; the changing cultural attitudes to drinking; the techniques of mass production associated with the Industrial Revolution; and, the wine and liquor trade.

In the context of the the Dutch wreck collections, the *Zeewijk* glassware provides the potential for demonstrating the tangible comparative changes that have taken place within a given period of time i.e. from 1629 to 1727, and for linking these changes to broader economic, social and cultural issues. Some preliminary work on the collection has been undertaken (Stanbury) with a view to pursuing these lines of research.

## **ZUYTDORP (1712)**

### **Recent work and events**

A review of the archaeological work carried out on the *Zuytdorp* since 1986, the current status of the historical research and analysis, and conservation progress is given in the accompanying report by McCarthy (1991).

### **Report on the artefact collection**

Excavations of the *Zuytdorp* wreck site and associated land sites since 1986 have resulted in the acquisition of an interesting collection of artefacts, some of which are in an excellent state of preservation. Research and analysis of this collection is still in a preliminary phase. The following brief descriptions of some of the more interesting artefacts from the underwater site are given to illustrate the potential significance of this collection for research and comparative study.

### **ANCHOR**

An iron anchor and part of an anchor ring (ZT 4068) were recovered from the wreck site in 1988 and are undergoing conservation treatment (Fig. 2).



Figure 2. *Zuytdorp* anchor being de-concreted by Dr Ian MacLeod.  
Photograph: Jon Carpenter.

### **ARMAMENT**

#### *Iron gun (ZT 3926)*

An iron gun was raised from the wreck site in 1988 (Figs. 3 and 4). The length is 2.59 m (8 ft 6 in





Figure 3. *Zuytdorp* iron gun prior to conservation treatment.  
Photograph: Jon Carpenter.



Figure 4. *Zuytdorp* iron gun during conservation treatment.  
Photograph: Jon Carpenter.

with a bore diameter of 11.2 cm (4.4 in). A broad arrow is stamped on the upper surface of the gun at the first reinforce and the figure '8' toward the distal end of the chase. The arrow would appear to suggest an English origin for the gun.

Drilling of the bore of the gun in preparation for electrolysis revealed that it was loaded, the complete charge being removed and currently undergoing conservation. The cannon ball found *in situ* was 9.9 cm (3.89 in) in diameter and weighed 3.556 kg (7.8 lb). [A ball of this diameter would be expected to weigh 3.708 kg (8 lb).]

## FIREARMS AND ACCOUTREMENTS

### Copper alloy furniture for small firearms

A number of small items recovered from the 1988 expedition are associated with small firearms (see Figs 5 and 6). They include musket side plates (escutcheons) and a ramrod pipe.

- ZT 3952 Musket side plate (escutcheon) (copper alloy)  
Stamped 'CAMER. ZEELAND' (signifying the Chamber of Zeeland) either side of a castle (the proof mark of Middleburg).
- ZT 3946 Musket side plate (escutcheon) (brass)  
Bears the Coat of Arms of Amsterdam supported on either side by the insignia 'AVOC' of the Amsterdam Chamber of the Dutch East India Company.
- ZT 4114 Ramrod pipe from musket.

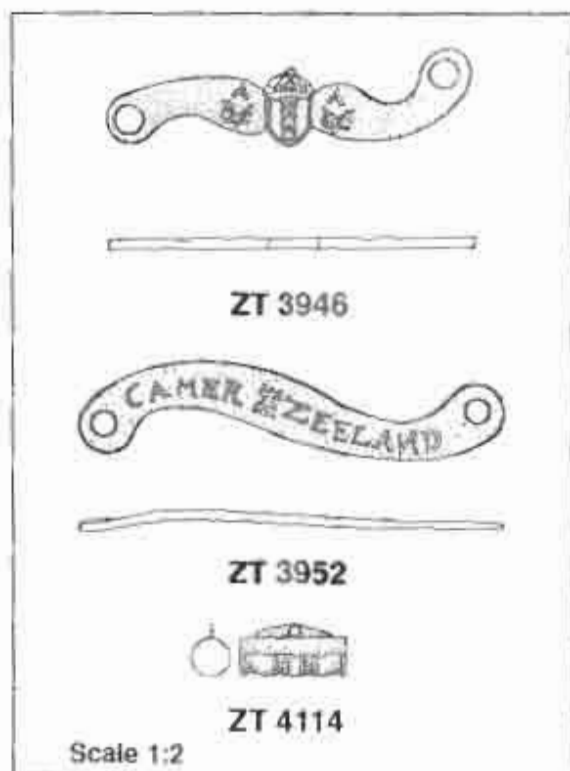


Figure 5. Copper alloy furniture from small firearms  
Scale 1:2.

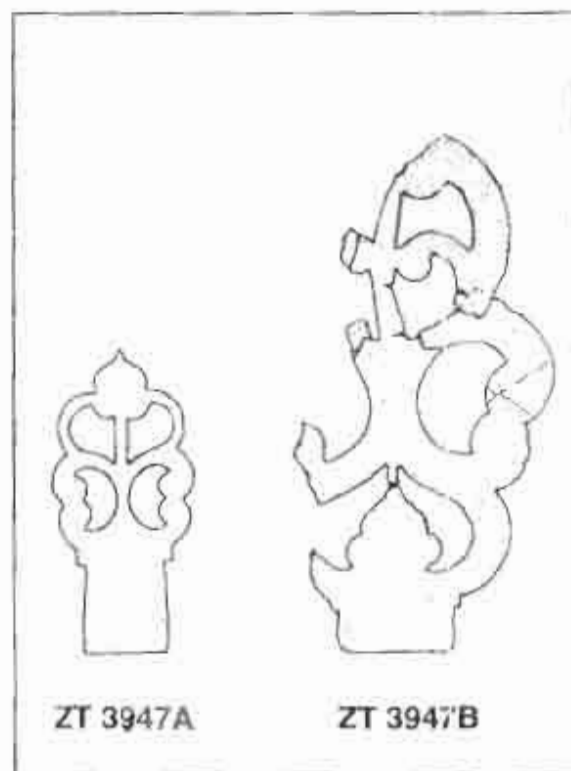


Figure 6. Unidentified copper alloy objects.  
Scale 1:2.

Several wooden sections of musket stocks were recovered in 1987 and 1988. One section (ZT4008) bears the mortise for the escutcheon (side plate) ZT 4007. Similar examples were recovered from the *Batavia* and *Zeewijk*. Two decorative devices ZT 3947 A and ZT 3947B (Fig. 6) are still unidentified.

### Cartridge case (ZT 3278, 3923, 3971 et al.)

Several brass components of a cartridge case from a military cartridge belt have been recovered from the *Zuytdorp*. This is the first example of its kind to be found from any of the Dutch wrecks.

The military cartridge belt consisted of a leather belt with a leather pouch holding a crescent-shaped lidded bronze or brass case with several compartments for cartridges. From each belt hung a small bronze or brass touch hole pricker (ZT 3948) for clearing the hole of the musket and the belt was fastened with a distinctive form of buckle (ZT 3366). [Similar buckles have been recovered from the *Zeewijk* (ZW 195 and ZW 419A) (Ingleman-Sundberg, 1978: 34).]

The remains of the *Zuytdorp* brass cartridge case appears to have had approximately 8 cartridge

chambers. Leather found in association with the metal remains are still undergoing conservation treatment and would probably have formed part of the pouch or belt.

In 1984 and 1985 thirteen complete and six incomplete cartridge cases were recovered from wreck of the VOC ship *Amsterdam*, wrecked off Hastings, England in 1748. These cases are similar to that from the *Zuytdorp*, consisting of a slightly bent copper case covered with leather and with a leather lid. One example from the *Amsterdam* also has a leather belt with a copper buckle still *in situ*. The cases contained twelve cartridges each. These cartridges consist of a series of vertical copper pipes. A brief report on the conservation and restoration of one of these cartridge cases is given in the 1986 report on the *Amsterdam* project (Gawronski, 1987: 25-26). Illustrations are also given in Marsden (1974:175-75). A breech-loading metallic cartridge gun was designed and made in Amsterdam prior to 1727 for King George I of England. It was designed for use as a flintlock fowling piece (Bowman, 1957: 8, 13).

#### REFERENCES

- Bowman, 1957, *Antique guns*.  
 Ingleman-Sundberg, C., 1978, *Relics from the Dutch East Indiaman, Zeewijk. Foundered in 1727*.  
 Marsden, Peter, 1974, *The wreck of the Amsterdam*. Hutchinson, London.  
 Paardekooper, M., 1987, Conservation of the finds: general survey and preliminary results - leather. In J.H.G. Gawronski (ed.), *V.O.C. Schip Amsterdam 1986. Annual Report of the VOC-Ship "Amsterdam" Foundation 1986*. Amsterdam.

#### *Gunflint (ZT 4108)*

A gunflint set in a lead mount is an unusual example. It was excavated from a concretion and found to be associated with parts of a flintlock mechanism from a small firearm. [The object is on display in the Maritime Museum.]

#### Cargo/ballast

##### LEAD INGOTS (OR PIGS)

Sixteen lead ingots were recovered from the wreck site in 1987 varying in size and weight (see Table 4). Markings are apparent on the base of some of the ingots while others do not appear to have any marks. The marks tend to be scattered and repetitious. Only one ingot (ZT 3386) appears to have a date mark of 1702. Closer examination of the markings is required, however, before any identification can be made.

ZT Ingot	Marks	Pre-cons wt. in kg	Post-cons wt. in kg	Length cm	Width cm
3386	1702 + 'star'	141.60	140.68	78	27
3387	Various EE I et al.	140.57	139.77	73.5	29
3388		141.14	140.45	79.5	26
3389		114.75	N/A	78	24
3390	DD DD VOC?	54.50	54.19	74.5	16
3391	EH EH FA	52.10	51.86	78.5	15
3392		44.67	44.55	76.5	15
3393	5 ?	54.75	54.63	77.5	13-14.5
3394		43.75	43.65	80	16.5
3395		61.10	55.85	75	13.5-15

Bowman, 1957, *Antique guns*.

Ingleman-Sundberg, C., 1978, *Relics from the Dutch East Indiaman, Zeewijk. Foundered in 1727*.

Marsden, Peter, 1974, *The wreck of the Amsterdam*. Hutchinson, London.

Paardekooper, M., 1987, Conservation of the finds: general survey and preliminary results - leather. In J.H.G. Gawronski (ed.), *V.O.C. Schip Amsterdam 1986. Annual Report of the VOC-Ship "Amsterdam" Foundation 1986*. Amsterdam.

#### *Gunflint (ZT 4108)*

A gunflint set in a lead mount is an unusual example. It was excavated from a concretion and found to be associated with parts of a flintlock mechanism from a small firearm. [The object is on display in the Maritime Museum.]

#### Cargo/ballast

##### LEAD INGOTS (OR PIGS)

Sixteen lead ingots were recovered from the wreck site in 1987 varying in size and weight (see Table 4). Markings are apparent on the base of some of the ingots while others do not appear to have any marks. The marks tend to be scattered and repetitious. Only one ingot (ZT 3386) appears to have a date mark of 1702. Closer examination of the markings is required, however, before any identification can be made.

Quantities of lead were requisitioned annually for transportation to the East Indies by the Governor General of the Indies. The amounts fluctuated considerably which may be a reflection of the purpose for which the lead was required, i.e. trading purposes, building projects and ballast for trimming ships.

Over one hundred lead ingots of varying design and with a wide variety of markings have been recovered from the wreck of the VOC ship *Campen*, wrecked off the Needles rocks (near the Isle of Wight) off the south coast of England in 1627. These finds have been weighed and classified into ten groups, (plus one 'unclassified' group), on the basis of the correlation between weight, length, breadth and depth, and the type of marks and/or absence of the latter. Drawings of one example from each group illustrate the range of shape, size, and markings.

Although pre-dating the *Zuytdorp*, the data available from the *Campen* study serves as a valuable database for comparative analysis of the *Zuytdorp* lead ingots.

### Lead ingot analysis

#### David Kelly

Core samples of approximately two centimetre depth were taken from the *Zuytdorp* lead ingots (ZT 3386, ZT 3388, ZT 3390, ZT 3397 and ZT 3401). The samples were dissolved in concentrated nitric acid and made up to volume in distilled water.

Using a Varian AAS Atomic Absorption Spectrometer the samples were analysed for lead, copper, zinc, silver, tin, antimony, magnesium, calcium, bismuth and iron. Each ingot sample was of the order of a few milligrams with each ingot being samples in duplicate. Due to some surface oxide contamination the total base metal analysis was between eighty and ninety percent. The following base metal composition was found with all values being the normalized percentage values as an average of the two samples taken from each ingot.

	Pb	Cu	Zn	Ag	Sb	Mg	Ca	Bi	Fe	Sn
ZT 3386	99.74	0.05	<0.01	0.08	<0.01	0.02	0.09	<0.01	<0.01	<0.01
ZT 3388	99.76	<0.01	0.01	0.07	<0.01	0.02	0.11	<0.01	<0.01	<0.01
ZT 3390	99.71	0.08	0.01	0.05	<0.01	0.01	0.12	<0.01	<0.01	<0.01
ZT 3391	99.74	0.03	0.02	0.06	<0.01	0.02	0.12	<0.01	<0.01	<0.01
ZT 3397	99.75	0.01	0.01	0.08	<0.01	0.02	0.12	<0.01	<0.01	<0.01
ZT 3401	99.77	0.02	0.01	0.06	<0.01	0.02	0.12	<0.01	<0.01	<0.01

Table 5. Lead ingot analysis by David Kelly.

### REFERENCES

- Craddock, P.T. and Hook, D.R., 1987, Ingots from the sea: The British Museum collection of ingots. *The International Journal of Nautical Archaeology*, 16.3: 201-206.
- Gomez, Olga Vallespin, 1986, The Copper Wreck (Pecio del Cobre). *The International Journal of Nautical Archaeology*, 15.4: 305-322. (For lead ingots see pp 317-321.
- Lam, Richard, (Ed.), 1985, The wreck of the Dutch East Indiaman *Campen* on the Needles rocks Isle of Wight, 1627 - Part 2. *The International Journal of Maritime Archaeology*, 14.2: 97-118.
- Price, R., Muckelroy, K. and Willies, L., 1980, The *Kennemerland* site. A report on the lead ingots. *The International Journal of Nautical Archaeology*, 9.7: 25
- Sténuit, R., 1974, Early relics of the VOC trade from Shetland. The wreck of the Fluit *Lastdrager*, lost off Yell, 1653. *The International Journal of Nautical Archaeology*, 3.2: 213-57.
- Willies, L., 1980, Technical and organisational development of the Derbyshire lead industry. Leicester PhD thesis.
- Willies, L., 1985, Eighteenth century lead ingots from the *Hollandia*. *Bulletin of the Peak District Mine: Historical Society*, 3. 4:233-249.

## NAVIGATION DIVIDERS

In 1987, the upper sections of fifteen brass dividers and one arm fragment were recovered from the wreck site and subsequently conserved. The collection has been examined and preliminary drawings made of representative examples (Fig. 7). Observations indicate the presence of two different forms of dividers: one with an octagonal and one with a round upper section. Of the total collection, nine of the dividers are of the octagonal variety and six of the round form. In addition, five different types of ornamental decoration have been identified, with and/or without a maker's mark. Based on form and decorative attributes, the dividers have currently been grouped as shown in Table 6.

Group	Reg. No.	Description
A	ZT 3341 ZT 3349 ZT 3350 ZT 3352.	Octagonal upper section with three stamped sets of concentric circles in a triangular fashion (on two opposing faces). The same decoration is found on a similar pair of dividers from the <i>Batavia</i> (BAT 3171) (Green, 1989: 93).
B	ZT 3343	Octagonal upper section with two stamped sets of concentric circles (on two opposing faces), and star on one lateral face (the opposite side is eroded).
C	ZT 3345	Octagonal upper section with two stamped sets of concentric circles (on two opposing faces), and a wide open <i>fleur-de-lys</i> in shield, possibly with initial 'T' in top right hand corner (the other corner is worn), on one lateral face. The <i>fleur-de-lys</i> appears stamped on dividers from the <i>Lastdrager</i> flanked by the initials 'II' (J or I). Sténuît (1974:234-35) suggests that this could refer to the Janszoon family who used the <i>fleur-de-lys</i> as a housemark in the 17th and early 18th century. There is no conclusive evidence, however, that the family were in fact instrument makers and further research is required before this mark can be attributed to this manufacturer. A set of four <i>fleur-de-lys</i> in adiamond shape are stamped on two asurolabes from the <i>Batavia</i> (BAT 394 and BAT 3720)(Green, 1989: 84, 86).
D	ZT 3346 ZT 3348 ZT 3355 (?)	Octagonal upper section with two stamped sets of concentric circles (on two opposing faces). A similar pair of dividers but stamped also with the Coat of Arms of the City of Amsterdam have been found on the <i>Batavia</i> (BAT 3320) (Green 1989: 93).
E	ZT 3342 ZT 3344 ZT 3347 ZT 3351 ZT 3353 ZT 3354	Round upper section with two stamped sets of concentric circles on two opposing faces and one stamped concentric ring on the other pair. With the exception of ZT 3354, which is slightly smaller variant of the other examples, all the dividers in this group appear to have been cast to a standard size and pattern. Immediately below the concentric ring decoration at the top of the arms are small semi-circular notches. These notches are absent from the dividers in Groups A - D. It would appear that their purpose was to allow the point of a splicing tool to be introduced between the legs of the dividers to pry them open if they became too stiff (Sténuît, 1974: 234).

Table 6. *Zuytdorp* dividers.

	ZT 3350 ZT 3352.	similar pair of dividers from the <i>Batavia</i> (BAT 3171) (Green, 1989: 93).
B	ZT 3343	Octagonal upper section with two stamped sets of concentric circles (on two opposing faces), and star on one lateral face (the opposite side is eroded).
C	ZT 3345	Octagonal upper section with two stamped sets of concentric circles (on two opposing faces), and a wide open <i>fleur-de-lys</i> in shield, possibly with initial 'T' in top right hand corner (the other corner is worn), on one lateral face. The <i>fleur-de-lys</i> appears stamped on dividers from the <i>Lastdrager</i> flanked by the initials 'II' (J or I). Sténuît (1974:234-35) suggests that this could refer to the Janszoon family who used the <i>fleur-de-lys</i> as a housemark in the 17th and early 18th century. There is no conclusive evidence, however, that the family were in fact instrument makers and further research is required before this mark can be attributed to this manufacturer. A set of four <i>fleur-de-lys</i> in adiamond shape are stamped on two asurolabes from the <i>Batavia</i> (BAT 394 and BAT 3720)(Green, 1989: 84, 86).
D	ZT 3346 ZT 3348 ZT 3355 (?)	Octagonal upper section with two stamped sets of concentric circles (on two opposing faces). A similar pair of dividers but stamped also with the Coat of Arms of the City of Amsterdam have been found on the <i>Batavia</i> (BAT 3320) (Green 1989: 93).

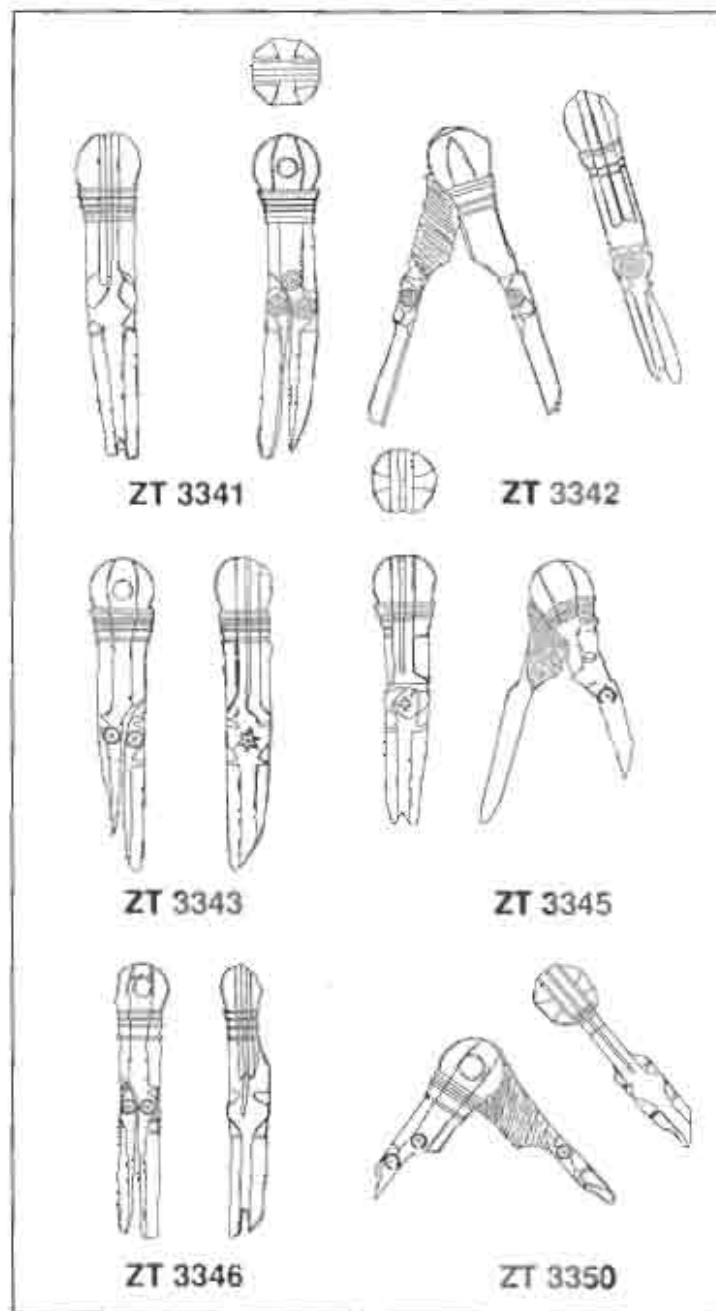


Figure 7. *Zuytdorp* dividers. Scale 1:2.

## Discussion

This collection of navigational dividers is representative of the types of instruments featured on Dutch maps and paintings of the sixteenth to eighteenth centuries, and recovered from the wreck sites of other VOC ships of this period.

The dividers were excavated from a single location ('divider hole') on the wreck site. Such a concentration of similar objects in one area is archaeologically significant and poses an interesting question: were the dividers part of the ship's inventory for use on board, or were they part of a cargo intended for Batavia or some other Dutch settlement in the East Indies?

It is known that consignments of navigational instruments were shipped to the Indies on board VOC ships as supplies for the settlements (Morzer Bruyns, 1988 pers. comm). Some 80 brass navigational dividers of four different types were found on the VOC flute *Lastdrager*, lost in 1653 (Sténuît, 1974: 232ff). Of these, 72 similar pairs were deemed to be cargo. From Sténuît's illustrations (1974: Fig 14, pairs 8-11), the *Zuytdorp* dividers would appear to conform to this 'general type', described by Aubin (1702) as: 'straight compasses ...used by shipwrights and pilots' (Sténuît, 1974: 232). As with the *Zuytdorp* finds, this group contained some examples with round rather than octagonal upper sections (Sténuît, 1974, Fig. 14, pairs 8 and 9).

The *Lastdrager* compasses were also found to be concentrated in one area. All of type 11 were embedded in a mass of 'exceptionally hard magma'. When carefully excavated, however, it was noted that the dividers lay in paralleled positions, indicating tight and careful packaging (Sténuît, 1974: 232). Although the wrought iron points had corroded away, an imprint had been left *in situ* enabling a reconstruction of the complete dividers to be made.

Whether the *Zuytdorp* dividers were noted to be aligned in parallel, (or any regular way), when recovered, which may indicate that they were packed in a container, is not presently known. Such information, if available, would be extremely important as it could lead to a more probable determination of whether the dividers were cargo items. Without this data, however, only a tentative conclusion can be drawn: based on the comparative data available from the *Lastdrager* site, the close archaeological association on the *Zuytdorp* site of two types of navigational dividers suggests that these were part of a cargo consignment rather than for use on board ship.

## REFERENCES

- Green, J.N., 1989, *The AVOC Retourschip Batavia Wrecked Western Australia 1629. Excavation report and artefact catalogue*. British Archaeological Reports, Oxford, BAR International Series 489.
- Mörzer Bruyns, W.F.J., 1988, Curator, Nederland Scheepvaart Museum, Personal communication.
- Mörzer Bruyns, W.F.J., 1989, Het VOC schip *Lastdrager* en de J.C.M. Wamsinckprijs van d Nederlandse Vereniging voor Zeegeschiedenis. Overdruk uit (reprinted from): *Tijdschrift voor Zeegeschiedenis*, 8, 1: 79-82.
- Sténuît, R., 1974, Early relics of the VOC trade from Shetland. The wreck of the flute *Lastdrager* lost off Yell, 1653. *The International Journal of Nautical Archaeology*, 3.2: 213-256.

## TUFTING NAILS (ZT 3324 ET AL.)

As on previous expeditions, a number of brass tufting nails with plain round heads and square shanks have been recovered from recent excavations (Fig. 8). These nails were used in upholstery, for example to secure the padded seats and backs of chairs. The grouping of these objects on the site suggests they were probably being shipped to the East Indies as cargo items for use in furniture manufacture, described by Aubin (1702) as: 'straight compasses ...used by shipwrights and pilots' (Sténuît, 1974: 232). As with the *Zuytdorp* finds, this group contained some examples with round rather than octagonal upper sections (Sténuît, 1974, Fig. 14, pairs 8 and 9).

The *Lastdrager* compasses were also found to be concentrated in one area. All of type 11 were embedded in a mass of 'exceptionally hard magma'. When carefully excavated, however, it was noted that the dividers lay in paralleled positions, indicating tight and careful packaging (Sténuît, 1974: 232). Although the wrought iron points had corroded away, an imprint had been left *in situ* enabling a reconstruction of the complete dividers to be made.

Whether the *Zuytdorp* dividers were noted to be aligned in parallel, (or any regular way), when recovered, which may indicate that they were packed in a container, is not presently known. Such information, if available, would be extremely important as it could lead to a more probable determination of whether the dividers were cargo items. Without this data, however, only a tentative conclusion can be drawn: based on the comparative data available from the *Lastdrager* site, the close archaeological association on the *Zuytdorp* site of two types of navigational dividers suggests that these were part of a cargo consignment rather than for use on board ship.

## REFERENCES

- Green, J.N., 1989, *The AVOC Retourschip Batavia Wrecked Western Australia 1629. Excavation report and artefact*

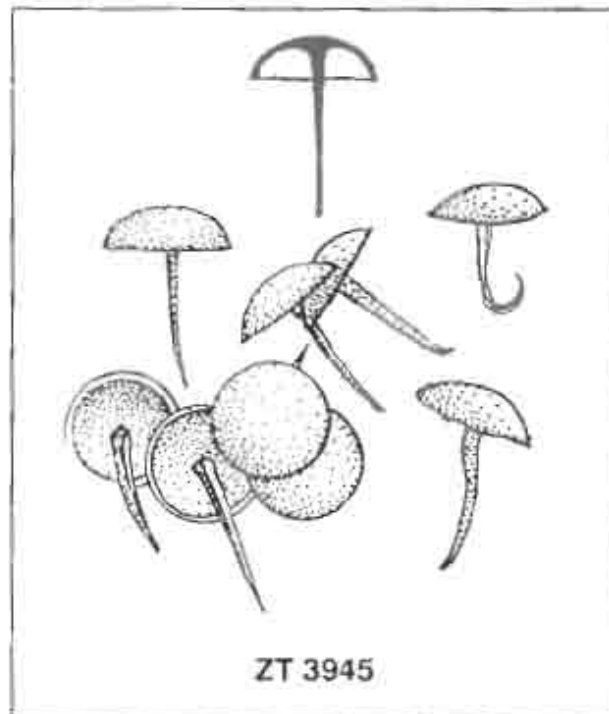


Figure 8. Tufting nails. Scale 1:1.

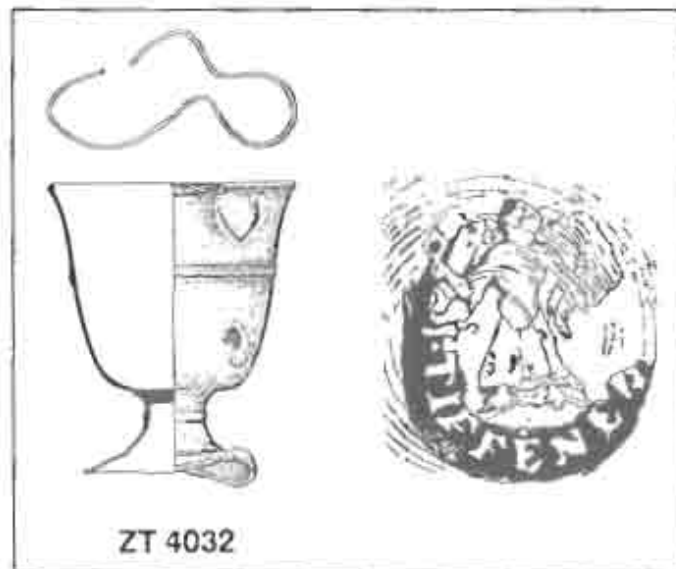


Figure 9. Pewter chalice (or ewer) with detail of Isaak Tiffeneau mark. Scale 1:4.



#### PEWTER PLATE OR CHARGER (ZT 3973A)

A large pewter plate, 428 mm diameter, was also recovered from a concretion. It is stamped on the upper rim with an AVOC mark which has been counterstamped with an AVOCM mark, the latter indicating the Chamber of Middleburg. On the base of the plate is a Tudor rose and crown maker's mark. It is possible the ewer and charger are associated items, similar objects being illustrated in 16th and 17th-century Netherlands still life paintings.

#### FUNNELS (ZT 3976)

Two funnels, one inside the other, are the first examples of their kind to be recovered from the Dutch shipwrecks. One bears the AVOC stamp and part of a Tudor rose and crown maker's mark.

#### BOTTLE CAPS

Several pewter bottle caps from case bottles were recovered in 1987 in relatively good condition (Fig. 10).

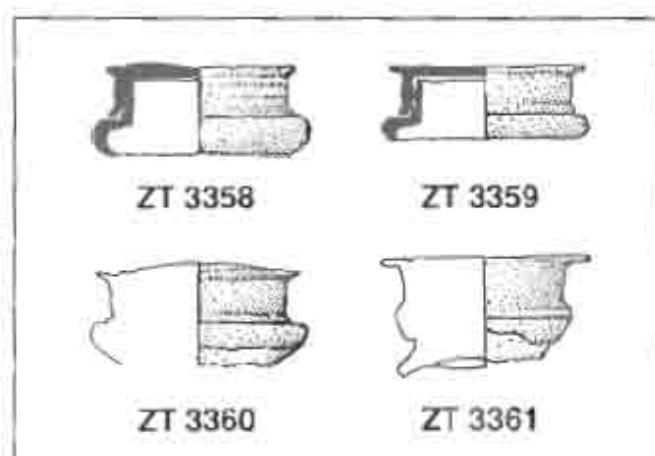


Figure 10. Pewter bottle caps. Scale 1:2.

#### Glassware

##### GLASS TUMBLERS (OR BEAKERS)

Probably the most fragile, yet complete, object to have been recovered from the *Zuytdorp* wreck site in 1988 is a small colourless glass engraved tumbler (or beaker) ZT 3979 (Fig. 11). The tumbler appears to have been hand-blown, the lower part and base having been ground to provide an even resting surface. A wreath of leaves has been engraved around the rim of the tumbler. On the body, sunburst motifs separate floral and pictorial motifs. The latter depicts a building with towers and turrets with flagstaffs, possibly representing the castle of Middleburg. A number of other incomplete tumblers exhibit an interesting range of motifs and designs. Again, these are not represented in the other collections.

Reg. No.	Description
ZT 3989	Rim of engraved colourless glass tumbler.
ZT 3990	Rim of engraved colourless glass tumbler. Engraved design depicts a landscape with the hindquarters of a deer or similar animal.
ZT 4052	Around the base are six ovoid facets each separated by an upright flower. Faceted decoration with engraved leaves and sunburst motifs adorn the body.
ZT 3987	Hand-blown glass tumbler with 16 cut panels and ground base.
ZT 4053	Finial from glass closure.
ZT 3991	Stem of drinking glass with inverted baluster.
ZT 3992	Hand-blown, fine glass base, probably from circular medicinal phial or bottle.

Table 7. Glassware from the *Zuytdorp*.



Figure 11. Glass tumbler ZT 3979.  
Photograph: Patrick Baker.



Figure 12. Glass tumbler ZT 4052.  
Photograph: Patrick Baker.

## PORCELAIN

Among the fragile artefacts recovered from the wreck site in 1988 were two blue and white porcelain saucers (or dishes) (Fig. 13) and several other fragments of porcelain. Saucer ZT 3993 is decorated on the interior with a bird on a rock and alternating bird and floral motifs around the cavetto (i.e. the curved part). [The rock is a symbol of durability and steadfastness.] The external decoration consists of four underglaze blue concentric rings.

Saucer ZT 4051 is decorated with five 'Chakra' (the Wheel of Life), lotus flowers, and plum blossom (the emblem of Winter and a symbol of life because the blossom in springtime appears on the leafless and apparently leafless tree). A blue underglaze mark on base is unidentified but possibly a date or potter's mark.



Figure 13. Porcelain saucers (or dishes). Scale 1:2

## SMALL FINDS

Many small items such as pins, buckles, book hinges and unidentified fittings (Fig. 14) have been excavated from concretions which have clearly assisted in the preservation of these objects underwater.

### Significant land site finds

#### TOBACCO-BOX LID (ZT 4122)

This tobacco-box lid was found at a depth of 10 cm below ground surface at Wale Well in 1990 by Playford and McCarthy. The oval lid bears an engraved panorama of 'Leyden' (Leiden), a town to the south-west of Amsterdam. Part of a similarly engraved lid was recovered from the *Zeewijk* (1727) survivors' campsite on Gun Island (ZW 1045 - on display at Geraldton Museum).

#### PORCELAIN BOWL (ZT 4146)

Several fragments of a porcelain bowl (or cup) c. 71 mm diameter were recovered from the land during the July 1991 expedition to the *Zuytdorp*. The interior of the bowl has a blue on white underglaze decoration depicting a rock, flowers and butterflies. The exterior is brown glazed to the foot and the base bears a stylistic character in blue on white. Two similar bowls were recovered from the *Zeewijk* (ZW 1237 and ZW 3307).

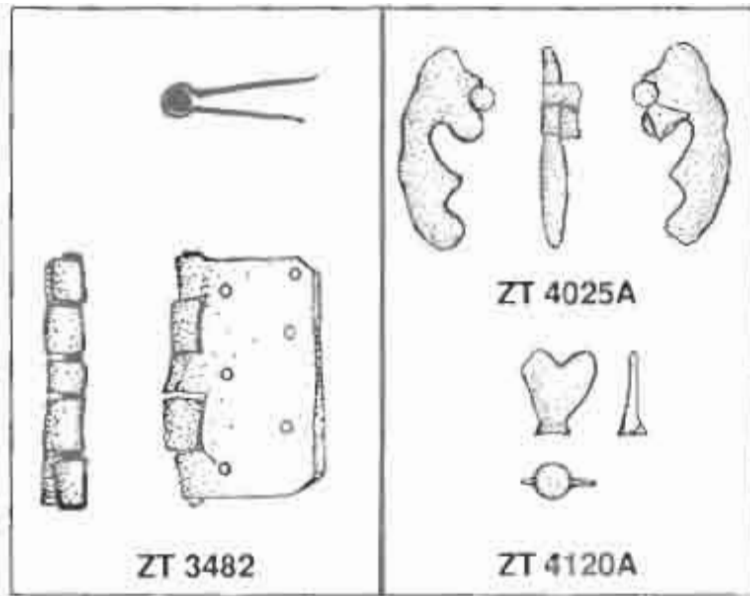


Figure 14. Brass hinge, possibly from Bible or prayer book (ZT 3482) and unidentified brass objects. Scale 1:1.

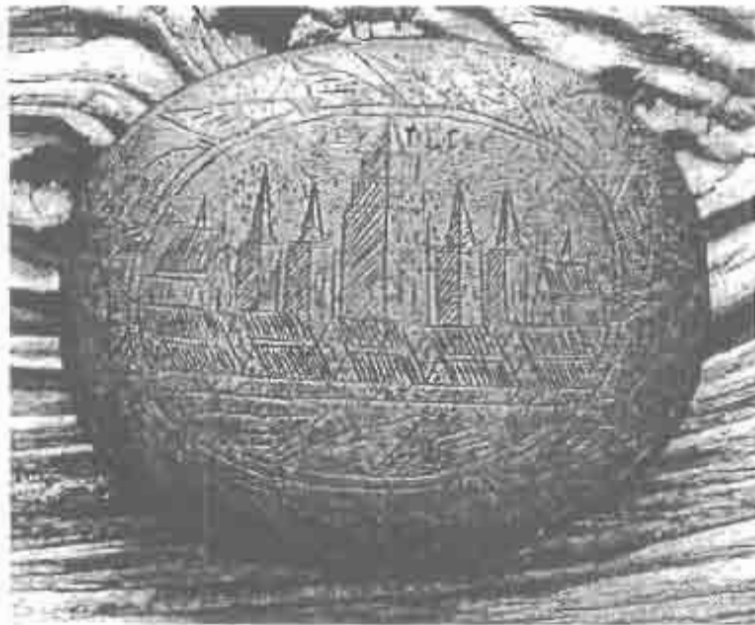


Figure 15. Brass tobacco box lid ZT 4122 engraved with panoramic view of the town of 'Leyden'. Photograph: Jon Carpenter.

## 1991 Report to ANCODS meeting on coins from the Dutch wrecks

S.J. Wilson

Honorary Curator of Numismatics  
Western Australian Museum, Perth, WA

### General Report

Since 1985 there has been no distribution of the selection made for the Netherlands and Australian Commonwealth governments of coins from the *Vergulde Draeck*, *Batavia* and *Zuytdorp* wrecks except that to the Netherlands from the *Vergulde Draeck*.

An original selection of *Vergulde Draeck* coins was sent to the Netherlands and a small group of Two Stuivers and Schellingen of 1711 from the *Zuytdorp* was sent to the Royal Cabinet of coins at the Hague and later transferred to the Rijksmuseum at Leiden. The remainder of the selections from the three ships is still in storage at the Western Australian Museum in Perth.

**Zuytdorp:** The attached lists of *Zuytdorp* coins recovered have been consolidated with earlier lists to bring the work on the ship up-to-date (November 1991). The quality of the material is very poor and only yields a few really collectable pieces. The lists are more of an exercise in statistics than a list of valuable coins. The records are up-to-date at November 1991 except for about 600 very poor quality pieces still to be cleaned and sorted. The final figure will be about 14,000 coins recovered and treated. Any further salvage work could of course bring up many more.

Earlier records at the Hague researched for us by Drs Arent Pol indicated that the *Zuytdorp* carried a quantity of gold Ducaten, about 88,000 Guilders worth at the time. Recovery of a quantity of Spanish Reals and Netherlands Ducatons seems to indicate that the original amount in gold that was ordered to be shipped was replaced by silver. We do not expect to see any gold recovered from this ship.

Excavation at the camp-site on the cliff top above the wreckage of the ship, has produced a few coins of interest apart from those in the original bullion chests.

1. A four real struck at Potosi in Peru circa 1680 named a 'Pataca' and counterstamped for use in Brazil as 120 Reis and later as 200 Reis showing the rate of inflation of the period.  
WAM ZT No. 10874
2. A four real piece struck at Lima mint in Peru  
WAM ZT No. 11450
3. A Doit of Holland circa 1703  
WAM ZT No. 10940
4. A Two Stuiver of Zeeland 'Brockage'.  
WAM ZT No. 10275
  
5. A commercial trade token probably from Alsace-Lorraine with head of Louis XIV of France and *fleur de lis*, issued by HANS WIEDENGER as his Phennig (Penny)  
WAM ZT No. 10895

### Condition

Out of the 13 210 coins treated and surveyed, the following is a table of degree of preservation:

Poor and corroded	6640
Very good	445
Fine	2125 (mainly Schellingen)
	<hr/>
	13 210
	=====

### Distribution of coins

Of the selection of 800 coins from the *Batavia* wreck, ninety-six (96) have already been handed to the Australian National Maritime Museum in Sydney and the balance of 704 are ready to be transferred along with eight-hundred (800) from the *Vergulde Draeck*. Distribution of the selection of eight-hundred (800) coins from the *Batavia* to the Netherlands has still to take place. The composition of selections from the *Zuytdorp* is still to be decided.

The deliberations of ANCODS on this subject are awaited with interest

Stan Wilson

COIN.	No.	%	
1-8 Reals	724	5.30	6%
2 Stuivers	66	50.80	50%
6 Stuivers	572	43.35	43%
1/2 Ducatons	3	0.05	
Ducatons + Rijksdaalders	59	0.49	1
	1324	100%	100%

No.	Coin	Province	Date	Monarch	Weight	Cal.No.	
2	One Real	Mexico	c.1708	Philip V	c. 3 g	Yriarte 560	
159	Two Reals	Mexico	c.1708	Philip V	c. 6 g	Yriarte 560	
140	Four Reals	Mexico	c.1708	Philip V	c. 12 g	Yriarte 560	
1-s. Reals (784)	481	Eight Reals	Mexico	c.1708	Philip V	c. 27 g	Yriarte 560
6639	Two Stuivers	Zeeland	1711	United Neth.			
1	Two Stuivers	Zeeland	1706	United Neth.			
3	Two Stuivers	Zeeland	1708	United Neth.			
2. Stuivers (6644)	1	Two Stuivers	Overijssel	c.1680	United Neth.		
5713	Six Stuivers	Zeeland	1711	United Neth.			
10	Six Stuivers	Zeeland	1709	United Neth.			
6 Stuivers (5726)	3	Six Stuivers	Utrecht	1710	United Neth.		
1/2 Ducatons (6)	5	Half Ducaton	Brabant	c.1630	Philip III	c. 15 g	Dav. 4444
1	Half Ducaton	Brabant	1667	Charles II	c. 15 g	Dav. 4475	
10	Ducatons	Brabant	c.1630	Philip III	c. 30 g	Dav. 4444	
5	Ducatons	Brabant	c.1660	Philip III	c. 30 g	Dav. 4454	
1	Ducaton	Brabant	1642	Philip III	32.05 g	Dav. 4454	
1	Ducaton	Brabant	1650	Philip III	31.71 g	Dav. 4454	
1	Ducaton	Brabant	1652	Philip III	30.19 g	Dav. 4454	
1	Ducaton	Brabant	1658	Philip III	30.92 g	Dav. 4454	
1	Ducaton	Brabant	1659	Philip III	30.77 g	Dav. 4454	
1	Ducaton	Brabant	1662	Philip III	31.35 g	Dav. 4454	
1	Ducaton	Brabant	1665	Philip III	31.11 g	Dav. 4454	
1	Ducaton	Brabant	1668	Charles II	30.97 g	Dav. 4475	
1	Ducaton	Brabant	1670	Charles II	31.37 g	Dav. 4475	
1	Ducaton	Brabant	1673	Charles II	28.27 g	Dav. 4475	
1	Ducaton	Brabant	1686	Charles II	27.60 g	Dav. 4486	
1	Ducaton	Brabant	1703	Philip V	31.93 g	Dav. 1703	
1	Ducaton	Flanders	1638	Philip III	31.12 g	Dav. 4457	
1	Ducaton	Toumois	1649	Philip III	31.09 g	Dav. 4458	
1	Rijksdaalder	Utrecht	1613	United Neth.	24.11 g	Dav. 4836	
1	Rijksdaalder	Zwolle	1664	United Neth.	26.29 g	Dav. 4947	
1	Ducaton	Kampen	1659	United Neth.	32.44 g	Dav. 4945	
1	Ducaton	Gelderland	1704	United Neth.	32.17 g	Dav. 1703	
3	Ducaton	Gelderland	c.1660	United Neth.	c.28.25 g	Dav. 4923	
2	Ducatons	Gelderland	1679	United Neth.	31.91 g	Dav. 4924	
3	Ducatons	Holland	c.1673	United Neth.	32.14 g	Dav. 4930	
1	Ducaton	Holland	1692	United Neth.	30.15 g	Dav. 4930	
1	Ducaton	Overijssel	1660	United Neth.	20.06 g	Dav. 4935	
1	Ducaton	Overijssel	1677	United Neth.	30.59 g	Dav. 4936	
1	Ducaton	Utrecht	c.1660	United Neth.	c.30 g	Dav. 4937	
2	Ducaton	W.Friesland	c.1660	United Neth.	31.13 g	Dav. 4939	
1	Ducaton	W.Friesland	1668	United Neth.	32.04 g	Dav. 4939	
2	Ducatons	Zeeland	c.1660	United Neth.	32.36 g	Dav. 4942	
Total Number of coins = 13210							

Ducatons (50)

r. A/D.

Total 13,210

Table 8. Catalogue of Zuytdorp coins for allocation

## RESEARCH

### Proposed Australian-Netherlands Joint VOC Research Programme

Jeremy Green

#### Objectives

To promote research in Australia and the Netherlands on aspects of the archaeology and history of the VOC which is of interest and relevance to both countries.

Australia has a very large extant collection of VOC material excavated and preserved from 17th and 18th-century shipwrecks. The bulk of this material is preserved in the Western Australian Maritime Museum in Fremantle, there are also small representative collections held by the Australian Commonwealth Government and the Netherlands Government (Nederlands Scheepvaart Museum). This material comes under the terms of the ANCODS (Australian Netherlands Committee on Old Dutch Shipwrecks) Agreement, which is a bi-lateral agreement between the governments of the Netherlands and the Australian Commonwealth over the disposition of this material. The collection in Western Australia includes a large section of the hull of the VOC ship *Batavia* (1629) together with large collections of artefacts from this ship, the *Vergulde Draeck* (1656), *Zuytdorp* (1712) and *Zeewijk* (1727). These collections present a unique opportunity to study aspects of VOC artefacts which are not normally available for scholars, since in most cases VOC shipwrecks have either been salvaged and the artefacts sold at auction, with only a small collection retained by museums, or, as in the case of the VOC ship *Amsterdam*, the properly controlled excavation is only partially complete and has recently been postponed so that there is only limited material available for study. Part of the ANCODS Agreement anticipated the possibility of the future scientific study of the collection which is the objective of this proposal.

In the Netherlands there are a number of groups working on VOC related research projects. In particular, the *Batavia* Reconstruction Project at Lelystad is of significance, because it is a reconstruction, based on historical information, of an early 17th-century VOC ship similar to the *Batavia*. Another group in the Netherlands is involved in the excavation of the 18th-century VOC ship *Amsterdam*, which involves a careful archival and archaeological research programme. There are many other groups that have interests in various aspects of the historical and archival sources related to the operation and structure of the VOC that may have interests in this programme.

It is suggested that a joint programme between Australia and the Netherlands could be of benefit to both countries since there are clearly areas of mutual research interest. The source of most of the archival information is in the Netherlands, and the present reconstruction of the 'New' *Batavia* in the Netherlands is of particular relevance to this proposal since there is the reconstruction programme underway in Australia to rebuild the existing part of the 'Old' *Batavia*. Through already existing informal co-operation, a number of research projects have been suggested which would enable scholars from both countries to take advantage of this study situation. This would then be of benefit to the scholars in both countries and would result in the furthering of information about the VOC. The proposal here is that support should be obtained from the relevant ministries of the governments of the Netherlands and Australia for this project. It is also suggested that the ANCODS Committee be formally requested to support this proposal and that they should be the co-ordinating organization for the programme.

It is anticipated that this would initially be a three year programme, to be reviewed at the end of this time. The programme has clearly defined objectives and projects (see below), but allows the possibility of developing further research projects as the programme proceeds. Initial supporting institutions would be the Western Australian Museum, the *Batavia* Reconstruction Project and the Amsterdam Project (?). The programme could involve exchange schemes between staff of these institutions and organizations, where facilities can be provided for individuals to study at the supporting institution. This proposal is the result of an extremely interesting study project in 1988



by Jeremy Green, Head of the Department of Maritime Archaeology, Western Australian Maritime Museum at the *Batavia* Reconstruction Project, Lelystad, supported by the Western Australian Museum and the Netherlands Department of Foreign Affairs at the instigation of the Netherlands Ambassador to Australia and with the support of Mr Hank Ebes.

### **Proposed study projects**

Three study areas have initially been identified, although others may arise as the project develops:

#### THE COMPOSITE CANNON

The *Batavia* Reconstruction Project intends to build a full-scale replica of the two unique composite cannons found on the *Batavia*. This project involves study of the original guns in Australia to produce working drawings on which the reconstruction in the Netherlands can be based, together with archival research in the Netherlands to understand the significance of the guns in the development of 17th-century European gunfounding.

#### THE *BATAVIA* HULL STRUCTURE

The unusual coincidence of a historical reconstruction of an early 17th-century VOC retour ship, the 'New *Batavia*' and the simultaneous reconstruction of a section of the original 'Old *Batavia*' allows a unique opportunity to study and compare the shipwright's craft, the historical information and the archaeological record. This project will enable a comparison between the various approaches to see how the practical aspects of the project, the craft skills - building a new ship and reconstructing the original, and the academic aspects of the historical information and the physical evidence, relate. The project would involve the exchange of an historian from the Netherlands (Robert Parthesius the historian involved in the *Batavia* project research) and technical craftsman from Australia (Geoffery Kimpton, the person involved in rebuilding the 'Old' *Batavia*) for a period of time to study respective issues of the project.

#### ARCHIVAL RESEARCH

The 'Old' *Batavia* reconstruction project and the associated collection of artefacts from this and the three other VOC ships in Australia raise a number of questions that involving the study of the archival sources and the scientific analysis of the artefacts. It is suggested that a study group should be established at the beginning of the programme, to seek out specialists to advise on methods of studying the material and to oversee the research project. In addition, scholars interested in studying all of the collection, or aspects of it, should be encouraged to visit and study the material in Australia, or alternatively, if small numbers of items are required for study in the Netherlands, these could be provided on loan.

#### CONCLUSION

The main objective of the project will be to publish the results of this research in a series of scientific reports which, it is hoped, will further the understanding of the VOC, will provide information that will be of relevance to scholars and the general public and will also promote further research. This programme will be of particular relevance as it is intended to launch the 'New' *Batavia* in 1991, that will sail in 1992, and will visit Australia some time after that. As the research work will be involved with this project, there are possibilities that this proposal could be the basis for further co-operation with the voyage to Australia and exhibitions and promotion of the project.

#### BUDGET

It is anticipated that much of the funding for this programme can be found from sponsorship and grant applications in both Australia and the Netherlands. In the proposed three year programme, there would be an annual exchange of one person from the Netherlands and one person from Australia. The respective organizations would provide the working facilities for the individuals and the programme would seek funding for the travel and allowances. Additionally, the provision of some small funds

would be required for specific archival research projects, to cover the cost of local travel and meal allowance.

The total annual costing is as follows:

Air fares:	Two persons return Perth - Amsterdam	AUS\$3400
Allowances:	Two persons x 30 days @ AUS\$ 50	AUS\$3000
Research:	One person x 60 days @ AUS\$ 20	AUS\$1200
Materials:	Photocopy, microfilms, postage etc.	<u>AUS\$1000</u>
Total:		<u>AUS\$8600</u>

## BATAVIA RESEARCH

### Research questions related to the Castle Batavia, the land- and waterpoort and the portico façade on the *Batavia*

Jeremy Green

#### Introduction

The discovery of a prefabricated façade on the wreck site of the *Batavia* has raised some interesting questions. Essentially, the main question is: what was the façade doing on the *Batavia*? Various documents indicate that the façade was destined for one of the gateways of the Castle Batavia. The most important document is the journal of the voyages of Pieter van den Broecke in Asia (Coolhaas, 1963). Van den Broecke arrived in Batavia on the 19 June 1629 and on the 7 July records the arrival of Pelsaert in the ship's boat. While Pelsaert was away effecting the rescue of the survivors of the *Batavia*, the city of Batavia was attacked by an army from Matram and additionally, on 20 September, the Governor General Jan Pietersz. Coen died. When Pelsaert and the survivors of the *Batavia* finally arrived back at Batavia on 5 December 1629, the war was over. All these events were recorded by Pieter van den Broecke in his journal, and he departed for the Netherlands on 18 December. Following his return to the Netherlands, van den Broecke published a Journal of his voyages in 1634. In this were a number of illustrations engraved by A. Matham. It is assumed that these engravings were taken from the sketches that were made at the time of the journey. In the manuscript of van den Broecke there are two hand drawn sketches that were not published in the book, presumably, all but two of the sketches were given to Matham for engraving. One of these engravings shows a bird's-eye view of the castle and town of Batavia in late 1629, showing the Waterpoort, or sea-gate unfinished, with scaffolding and a ladder in place. This is extremely interesting, since the scene shows the city at the time of the siege. Clearly, no one would have an unfinished gateway without a reason and it suggests that the portico could have been destined for this gateway.

The history of the castle is as follows. In October 1618, Coen decided to relocate the Company's headquarters from Bantam to Jacatra where they already had a stone packhouse named Nassau. Here a new, more solid construction was built, named Mauritius. Following problems with the English, who had an establishment on the west side of the river, and the Matramese, Coen proposed to the Heeren XVII that a new castle should be built. His plan, dated 1619 survives (Algemeen Rijksarchief VEL-1176-G79204 and Vereeniging Koloniaal Instituut, 1919, No.1) and shows the proposed new extensions. The next map, dating from around 1623, shows the new castle with the main gate facing south towards the main part of the new walled city. It is clear from the map that the north, seaward walls of the castle are unfinished (Universiteitsbibliotheek Leiden, Collectie Bodel Nijenhuis, II-10-34 and Vereeniging Koloniaal Instituut, 1919, No.2). By 1627, the city had expanded southwards, as can be seen in the heavily restored plan of the city in the Westfries Museum at Hoorn. The old castle or fort of 1616 can be seen attached to the west side of the new castle. The four bastions Saphier (NE), Robijn (SE), Diamant (SW) and Paarl (NW) are joined by earth curtain walls, except on the north side between Paarl and Saphier where there is no obvious wall, but a palisade. It was intended that a substantial stone building would be built between the bastions Saphier and Paarl. The land bastions were built of coral limestone and it is clear that the castle was initially built for defense from land attack. The seaward bastions were strengthened just prior to the war with the Matramese and a wooden fence or light palisade was erected in the sea running from the river mouth to the NE corner of the castle. The situation during the war is shown in a number of maps: Floris Berkerode 3 March 1629 (Algemeen Rijksarchief VEL-1178-G79204, Vereeniging Koloniaal Instituut, 1919, No. 4), Jacob Cuyck 1629 (two maps, Algemeen Rijksarchief VEL-1179a-G79204, Vereeniging Koloniaal Instituut, 1919, No. 5), van den Broecke 1629 (Coolhaas, 1963) and G. Venant 1629 (Vereeniging Koloniaal Instituut, 1919, No. 9). The most interesting of these is the view of Batavia from Pieter the Waterpoort of the castle of Batavia. A gold pendant, made to commemorate the Chinese contribution to the defeat of the army of Matram, which clearly shows the completed Waterpoort (de

Haan, 1919: G8). The pendant was dated 25 November 1632 which gives an indication of the date for the completion of the Waterport. Valentijn (1724-6):242 describes the castle in great detail and interestingly states that the Waterport was dated on the inside of the gate with ANNO MDCXXX, indicating that the gate was completed within a year the loss and the Landport was dated ANNO MDCXXXI. It is obvious that a new portico could not have been ordered in Batavia and delivered in the Indies within thirteen months, Pelsaert did not return to Batavia until December, it is possible, although unlikely, that the Gouverneur General could have guessed that the portico was lost when Pelsaert first brought the news of the loss in July. A more reasonable explanation is that two porticos were sent to the Indies, one for the Waterport and one, on another ship, for the Landport. From Valentijn's dates, it seems that the Waterport was built first, and another was re-ordered for the Landport, which according to Valentijn was completed in 1631. Thus the portico on the *Batavia* could have been for the Landport or the Waterport. The markings 'B' on the columns, suggest that there may have been two porticos, that the other would have had the prefix 'A'.

There are, additionally, a number of blocks that do not fit into the reconstruction. In particular, there are eight small blocks that form two rings, or annuli. These are possibly windows for the entrance. There is an excellent illustration of the north face of the castle of Batavia in the *Vingbooms Atlas*, of uncertain date but possibly 1630-1640, showing the Waterport with portico façade of almost identical design to the façade from the wreck of the *Batavia* (Algemeen Rijksarchief V.E.I.11-619-32-G79204). On the exterior east side of the Waterport can be seen four windows, two to each floor, indicating that there was a room possibly a guard-house flanking the tunnel that would have formed the entrance. It may be that these annuli were for an observation window or possibly a gunport.

In later years the Waterport became the main entrance to the Castle and the city of Batavia, possibly because the access to the Landport via the river became more difficult as the seashore silted up. In 1629 the sea reached the north wall of the castle, by 1780 the river mouth was nearly a kilometre away. The *Vingbooms Atlas* clearly shows that the crane had been moved from the south side of the castle to the north and that a canal had been dug through from the river to provide access to the Waterport. The old Landport was eventually demolished, together with the south wall of the castle since the city walls and fortifications made the defences on the south side of the castle redundant. The Waterport was rebuilt in 1756 in a more magnificent style (de Haan, 1922: K9) and the castle walls were finally dismantled in 1809, so that today nothing remains of the castle or Waterport. The VOC built many castles and forts throughout the Indies. One of the most famous was the Castle Nieuwe Victoria at Ambon, where a Waterport still survives today. The design of the Ambon Waterport is very similar to the Landport at Batavia, described by Valentijn as having the Arms of Batavia at the centre and the Arms of the Chambers of the V.O.C. (Delft, Rotterdam, Amsterdam, Middleburg, Hoorn and Enkhuisen).

### Questions

1. Was there a decision by the Gouverneur General and Raad to order a portico façade from *Patria*? This may be in the Resolutions of the Gouverneur General and Raad, or it may be mentioned in the *uitgaan briefboeck*, or in the *Overgecomen papieren*. I would expect the order to have been sent, at the very latest, with the return fleet of 1627.
2. Was another portico ordered and if so when? Locations as above, but possibly mentioned in the home papers or resolutions and ordered any time after the end of 1629.
3. A brief survey of the records to give a general idea of the development of the Castle from the beginning to the 1640s.

## Questions relating to the lading of the *Batavia*

Jeremy Green

### Introduction

Only a very little is known about what the *Batavia* carried. There are some references to the losses and what Pelsaert recovered. In particular there was a lot of unusual coins sent to the Indies on the *Batavia*, these included a lot of German coins that had been purposely bent. This may have been because they were being sent as silver bullion. Also, the commission that Pelsaert had been given to sell the Rubens vase and the Great Cameo, has never been clearly understood if he was undertaking illegal trade (see Drake-Brockman, 1963, *Voyage to disaster*).

### Research questions

1. What was the *Batavia* carrying? This could be either in documents at home, or references in the Indies to material lost on the ship.
2. Was there anything significant in the bent German coins?
3. What was the significance of the special items carried by Pelsaert?
4. Are there any *Eijsch* dating before September 1632 (KA250 f55) *Taxatie van eysch van India*?

## Questions relating to the composite cannon

Jeremy Green

### Introduction

The composite gun was constructed in a very unusual manner. References to Doorman, G., (1940) *Octrooien voor uitvindingen in de Nederlanden uit de 16e-18e eeuw*, indicate that there were a number of patents in the 1620-1640 period for these sorts of guns. Additionally, Bas Kist says that there is more information on these sorts of guns in the City of Amsterdam archives and the references can be found in van Dillen *Bronnen tot de geschiedenis van het bedrijfsleven en gildewezen van Amsterdam*.

### Questions

1. Are there any details of the construction in the Amsterdam archives?
2. Are there any suggestions that the *Herren XVII* decided to try out these guns and are there any contracts for supply?
3. Is anything known of why they were developed and how long were they used?

## Zuytdorp Research 1988–1989

Jeremy Green

### Archival

During 1988–89 I visited the Algemeen Rijksarchief in Den Haag to check up on additional research items related to the *Zuytdorp*. I had the list of archival sources that had been already sighted so that the search was involved in two aspects. Firstly to identify the RGP numbers of the existing material (the Rijksarchief has recently renumbered) and secondly to locate any new material that may be relevant.

During this period, five separate days, I worked in conjunction with Mr Robert Parthesius, checking the material. The following is the list of documents sighted:

#### KA10459 loose paper

Rollen van de aankomst en't vertrek der scheepen soo van onse Heeren Principalen als andere Europeaanse Natien

dwelke Immiddels der legtyde en na het vertreck der retourſcheepen van de oerſte en tweede beſendingh deſes jaars 1712 dit Gouvernement hebben aangedaan  
Zuyddorp Martinus Weervliet 38 Stucken 6 caſſen 27 july 1711 uut Zeeland 286 met koppen  
den 13 dec? aan StTome den 4 Jan van daan vertrocken 112 doden 22 ſieken 23 gearriveert 22  
April vertrocken Batavia  
Casteel de Goede Hoop den 4 April 1713

### Un-numbered folio

"t Schip Zuid-dorp debt voor de volgen de ſeedings en andree gecſten 't zerdt des 24 maart laait dat uyt 't Patria hier ter reede is ſcheenen duſſessivelyk uit de magna Zynen genooten tot heden dat zyn reyse na Batavia ſtaet te ſvonderen namenlyke:

Voor de gecontract Slagters is aan 8 cayuytsgaſten en 150 gem op d bodem beſchydert tot ſending den ſtrect

There follows a list of goods taken on to the *Zuytdorp*.

Wy ondergeſz verſlaaren en certificeeren by deesen dat dit voorengem beestiaal 't geen wy by ons aanweesen alhier hebben genooten is geweest goed en dengd zaam lees als moede de groente en moeskruyten aan ons verſtreckt in teken der waarheyd hebben wy deese met onse gewoone handkenning bekragtigt In Casteel de Goede Hoop 15 April 1712

### Notulen van de resolutien. jan. 1695 Dec. 1701.

#### Kamer Zeeland (ARA 7253)

2 december 1700.

"D'heeren van equipage werden geautoriseert het schip Zuytdorpe te bouwen soo als hier voort g:dragen, en voort soo verre vant reglement af te gaen".

### Brieven en Papier van de Caap overgekomen met de Retour vloot ontsangen 9 April 1713

#### KA10549 No 73

Bellevliet

sailed with Zuytdorp 27 July 1711

52 deg 30 min

28 Aug 59deg 44min

5 Sept 53 deg 18 min

1 Oct schipper onderkoopman & oppersturman came on board

22 Oct clean inside with powder and vinegar 5deg N of line

3 Nov schipper, onderk & ostur

6 Dec saw Africa

11 Dec St Tomee

3 Jan depart

9 Jan Cape Lopo Gonsalves

16 depart

27 March Cape (Z arrived 4 - 5 days before)

### ARA 33.

#### Minuut resolutien van xvii, 1698-1701

woensdag 15 september 1700.

"dat wijders bij de camers sullen worden opgeseten en aengetimmer resp. schepen teweten(?) bij de camer van Amsterdam twee van lengte van 145 voeten idder en een van 130 voeten. bij de kamer van Zeeland een van 160 voeten bij de camer van delft een van 130 voeten en bij de kamer Rotterdam een van 123 (?) ende van 145 voeten.

### ARA 11336

#### Notulen van de heren van de equipage.

7 july 1701

"Is door mij ondersz. aangenomen:

het schip Zuytdorp alle het beeldewerck tot voorsz. schip nodig volgens het besteck bij de baas timmerman gemaakt. En soo het niet komt te accordeeren met voorsz. besaek dat dan het selve weder om sal ve maken en de onkosten daar van dragen tonkouds(?) deſen geteykent In middels 7 july 1701

(signature)"

folio 16

“dese voorsz. beeldsnijder is met de vooren genoemde perfecte heeren gecontracteerd voor de tijt van vijf jaaren om comp. schepen te snijden als volgt:  
Een schip van 160 voet voor f.70.-  
Een dito van 145 „ „ f.60.-  
Een dito „ 130 „ „ f.40.-

de fleuyten sullen buyten dit accoord wesen.”

### General comments

The most important document was the log of the *Belvliet* which sailed in convoy with the *Zuytdorp*. This account may explain why the *Zuytdorp* had so many deaths. The account shows that the two ships were convoyed *Achter om*, departing 27 July but only reaching the same latitude after circumnavigating the British Isles (59° 44' N) on 5 September. The ships sighted Africa 6 December and went to Cape Gonslaves and Sao Tomeé for water and provisions. The sickness and death on the *Belvliet* graphically demonstrate the problems with spending a long period of time in the Gulf of Guinea. Because the vessels took such a long time in the North Atlantic they ran out of food and water and were obliged to take on cattle and water.

There is also a list of equipment loaded on board the *Zuytdorp* at the Cape of Good Hope and various other short references that are not on our lists. Additionally, there was several references to the *Zuytdorp* having been built under an abnormal charter. The latter item is being researched further by Robert Parthesius.

The *Belvliet* Journal has been transcribed and is away being copy edited, the Rijsarchief are microfilming the relevant documents. I have also requisitioned a microfilm of the Inventory of the Rijsarchief which will be an important research tool for the future.

Robert Parthesius would like to continue this work because he has interests in this period in relation to the *Amsterdam*, and he will be passing on information from time to time.

### Lead trade

I contacted Mensun Bound and found out that the Metal Trade Conference Proceedings have not been published. He put me in contact with the Derbyshire Lead Mining Museum who I have corresponded with. I now have several papers relating to the lead ingot trade and when I get on to doing the work on the ingots I will write to see if they can assist. They, in return would like a small sample of the lead in order to build up a database on lead types. Again I will deal with this later.

the *Belvliet* graphically demonstrate the problems with spending a long period of time in the Gulf of Guinea. Because the vessels took such a long time in the North Atlantic they ran out of food and water and were obliged to take on cattle and water.

There is also a list of equipment loaded on board the *Zuytdorp* at the Cape of Good Hope and various other short references that are not on our lists. Additionally, there was several references to the *Zuytdorp* having been built under an abnormal charter. The latter item is being researched further by Robert Parthesius.

The *Belvliet* Journal has been transcribed and is away being copy edited, the Rijsarchief are microfilming the relevant documents. I have also requisitioned a microfilm of the Inventory of the Rijsarchief which will be an important research tool for the future.

Robert Parthesius would like to continue this work because he has interests in this period in relation to the *Amsterdam*, and he will be passing on information from time to time.

### Lead trade

I contacted Mensun Bound and found out that the Metal Trade Conference Proceedings have not been published. He put me in contact with the Derbyshire Lead Mining Museum who I have corresponded with. I now have several papers relating to the lead ingot trade and when I get on to doing the work

## Reports and publications relating to the Dutch wrecks 1985-1991

- Abrolhos Islands Task Force, 1988, *Abrolhos Islands planning strategy*. Abrolhos Islands Task Force, Perth.
- Buttsworth, L. and Groom, S., 1987, *Mutiny on the Abrolhos*. Western Australian Museum, Perth.
- Carpenter, J., 1990, A review of physical methods used to remove concretions from artefacts, mainly iron, including some recent ideas. *Bulletin of the Australian Institute for Maritime Archaeology*, **14**, 1: 25-42.
- Corvaia, C., 1989a, Design and construction of storage supports and packaging for museum objects. In: Stanbury, M. (comp.), *Shipwrecks and their environment. The Australian Institute for Maritime Archaeology VIIIth Annual Conference, Perth, Western Australia, September 4th - 10th 1989*. AIMA Special Publication, Fremantle: 50-51.
- Corvaia, C., 1989b, Supports and packaging for museum objects in travelling exhibitions. *Bulletin of the Australian Institute for the Conservation of Cultural Material*, **15**, 3 and 4: 29-40.
- Ghisalberti, E.L. and Godfrey, I.M., 1990, The application of nuclear magnetic resonance spectroscopy to the analysis of pitches and resins from marine archaeological sites. *Bulletin of the Australian Institute for Maritime Archaeology*, **14**, 1: 1-8.
- Godfrey, I.M. and King Smith, N., 1990, Conservation of degraded rope from marine archaeological sites. *Bulletin of the Australian Institute for the Conservation of Cultural Material*, **16**: 93-107.
- Godfrey, I.M. and Richardson, G.W., 1990, Analysis of waterlogged leather using Fourier transform infrared (FT-IR) spectroscopy - a preliminary study. *Bulletin of the Australian Institute for the Conservation of Cultural Material*, **16**: 73-84.
- Green, J.N., 1985, The underwater Gerrit van der Heide - an appreciation of his contribution to underwater archaeology. In: *Gerrit van der Heide vijftig jaar in toewijding voor natuur- en cultuurbehoud, een vriendenboek ter gelegenheid van zijn zeventigste verjaardag*. Zwolle.
- Green, J.N., 1986, Guns from the VOC ship *Batavia* (1629). Armouries Conference Tower of London, November 1986.
- Green, J.N., 1986, The survey of the VOC fluit *Risdam*, Malaysia. *International Journal of Nautical Archaeology*, **15**, 2: 93-104.
- Green, J.N., 1986, Southeast Asian ceramic smoking pipes. *International Journal of Nautical Archaeology*, **15**, 2: 167-169.
- Green, J.N., 1986, The survey and identification of the English East India Company ship *Trial* (1622). *International Journal of Nautical Archaeology*, **15**, 3: 195-204.
- Green, J.N. and Harper, R., 1987, *The maritime archaeology of shipwrecks and ceramics in Southeast Asia*. Australian Institute for Maritime Archaeology Special Publication No. 4.
- Green, J.N., 1988, Note on the guns from the VOC ship *Batavia*, wrecked off the Western Australian coast in 1629. *International Journal of Nautical Archaeology*, **17**, 1: 103-104.
- Green, J.N. and Stanbury, M., 1988, *Report and recommendations on archaeological land sites in the Houtman Abrolhos*. Department of Maritime Archaeology, Western Australian Maritime Museum, Report No. 29.
- Green, J.N., 1988, *Spiegelretourschip Batavia bewapening*. Report prepared for the Stichting Nederland Bouwt V.O.C. Retourschip, Lelystad.
- Green, J.N., 1989, *The AVOC retourschip Batavia, wrecked Western Australia 1629. An excavation report and catalogue of artefacts*. British Archaeological Reports International Series No. 489.
- Green, J.N. and Parthesius, R., 1989, Comparative archaeological and historical evidence from reconstruction of the original *Batavia* and a modern replica. *Bulletin Australian Institute for Maritime Archaeology*, **13**, 2: 33-34.
- Green, J.N., 1990, Further information on gunners' rules or tally sticks. *Journal of the Ordnance Society*, **2**: 25-32.
- Green, J.N., 1990, *Maritime archaeology: a technical handbook*. Academic Press, London.



- Henderson, G., 1986, *Maritime Archaeology in Australia*. University of Australia Press, Nedlands, WA.
- Hogarth, C., 1985, *Navigators and shipwrecks. Australia's heritage in stamps*. Australia Post, Melbourne.
- Hogarth, C., 1988, *Shipwreck! Discoveries from our earliest shipwrecks - 1622-1797*. International Cultural Corporation of Australia, Sydney.
- Jacob, T.K. and Vellios, J., 1987, *Southland. The Maritime Exploration of Australia*. Ministry of Education, Western Australia, Perth.
- Jacob, T.K. and Vellios, J., 1987, *To distant shores. The maritime exploration of Australia. Study guide [and video]*. Ministry of Education, Western Australia, Perth.
- Kenny, J.M., 1989, *Shipwrecks: time capsules of the deep*. Martin Educational/Ashton Scholastic, New South Wales.
- Kimpton, G., and McCarthy, M., 1988, *Zuytdorp 1701-1712. Report to the director and Head of Division on underwater and other work conducted during the period April 1986 to April 1988*. Report - Department of Maritime Archaeology, Western Australian Maritime Museum, No. 30.
- Kimpton, G., 1990, *Report on overseas work and study programme: New Batavia Project, Lelystad, The Netherlands 11 June to 8 July*. Report - Department of Maritime Archaeology, Western Australian Museum, No. 39.
- Larousse, 1990, *Le Batavia*. In: *Bateaux de toujours*. Larousse, Paris: 81-82.
- McCarthy, M., 1989, *Zuytdorp: the search continues*. *Western Australian Museum Information Series*
- McCarthy, M., 1989, *The excavation continues ... in the laboratory*. *Bulletin of the Australian Institute for the Conservation of Cultural Material*, 15. 3 and 4:21-27.
- McCarthy, M., 1990, *Zuytdorp. A report on the situation to date (June 1990)*. Report - Department of Maritime Archaeology, Western Australian Maritime Museum, No. 42.
- MacLeod, I.D., 1985 a, *The effects of concretion on the corrosion of non-ferrous metals*. *Corrosion Australasia*, 10. 4: 10-13.
- MacLeod, I.D., 1985b, *Shipwreck conservation chemistry*. In C.L. Fogliani (Ed.) *Chemistry resource book*, R.A.C.I.: 113-131.
- MacLeod, I.D. and Pitrun, M., 1986, *The effects of microstructure on long-term corrosion*. *Australasian Corrosion Association Proceedings Conference 26*, Adelaide. Vol. II-Symposium 11, Lead paper.
- MacLeod, I.D., 1987a, *Secondhand metal - conservation and industrial archaeology of shipwreck artefacts*. In: W.R. Ambrose and J.M.J. Mummery (Eds) *Further Australasian studies*. Australian National University Press, Canberra: 280-291.
- MacLeod, I.D., 1987b, *Strabilisation of corroded copper alloys: a study of corrosion and desalination mechanisms*. *ICOM Committee for Conservation*, Sydney, September 1987: 1079-1085.
- MacLeod, I.D., 1987c, *Conservation of corroded copper alloys: a comparison of new and traditional methods for removing chloride ions*. *Studies in Conservation*, 32: 25-40.
- MacLeod, I.D. and Davies, J.A., 1987d, *Desalination of glass, stone and ceramic recovered from shipwreck sites*. *ICOM Committee for Conservation*, Sydney, September 1987: 1003-1007.
- MacLeod, I.D. and North, N.A., 1987e, *Corrosion of metals*. In: C. Pearson (Ed.) *Conservation of Division on underwater and other work conducted during the period April 1986 to April 1988*. Report - Department of Maritime Archaeology, Western Australian Maritime Museum, No. 30.
- Kimpton, G., 1990, *Report on overseas work and study programme: New Batavia Project, Lelystad, The Netherlands 11 June to 8 July*. Report - Department of Maritime Archaeology, Western Australian Museum, No. 39.
- Larousse, 1990, *Le Batavia*. In: *Bateaux de toujours*. Larousse, Paris: 81-82.
- McCarthy, M., 1989, *Zuytdorp: the search continues*. *Western Australian Museum Information Series*
- McCarthy, M., 1989, *The excavation continues ... in the laboratory*. *Bulletin of the Australian Institute for the Conservation of Cultural Material*, 15. 3 and 4:21-27.
- McCarthy, M., 1990, *Zuytdorp. A report on the situation to date (June 1990)*. Report - Department of Maritime Archaeology, Western Australian Maritime Museum, No. 42.
- MacLeod, I.D., 1985 a, *The effects of concretion on the corrosion of non-ferrous metals*. *Corrosion Australasia*, 10. 4: 10-13.
- MacLeod, I.D., 1985b, *Shipwreck conservation chemistry*. In C.L. Fogliani (Ed.) *Chemistry resource book*, R.A.C.I.: 113-131.
- MacLeod, I.D. and Pitrun, M., 1986, *The effects of microstructure on long-term corrosion*. *Australasian Corrosion Association Proceedings Conference 26* Adelaide. Vol II-Symposium

- composition on extraction of chloride and iron from wood and concretion. In: I.D. MacLeod, (Ed.), *Conservation of wood and metal. Proceedings of the ICOM conservation working groups on wet organic archaeological materials and metals*, Western Australian Museum, Fremantle: 245-257.
- MacLeod, I.D., 1989c, The application of corrosion science to the management of maritime archaeological sites. *Bulletin Bulletin of the Australian Institute for Maritime Archaeology*.
- MacLeod, I.D., 1990, Conservation of waterlogged timbers from the *Batavia* 1629. *Bulletin of the Australian Institute for Maritime Archaeology*, **14**, 2: 1-8.
- MacLeod, I.D., 1991, The effects of microenvironment on long-term iron corrosion rates. *Bulletin of the Australian Institute for Maritime Archaeology* (in press).
- Mills Reid, N. K. and MacLeod, I.D., 1987, The use of aqueous glycerol solutions in the conservation of waterlogged archaeological organic materials. In: W.R. Ambrose and J.M.J. Mummary (Eds), *Archaeometry - further Australasian studies*. Australian National University Press, Canberra.
- Morse, K., 1988, The archaeological survey of midden sites near the *Zuytdorp* wreck. *Bulletin of the Australian Institute for Maritime Archaeology*, **12**, 1:37-40.
- Orme, Z. and Randall, N., 1987, A survey of the historical limestone structures on West Wallabi Island, Houtman Abrolhos. *Bulletin of the Australian Institute for Maritime Archaeology*, **11**, 2: 25-31.
- Stanbury, M., 1989, Maritime archaeological material - a catalyst in the development of the Western Australian maritime museum. In: L.M. Alveld (Ed.), *VIIth International Congress of Maritime Museums Proceedings 1987, Amsterdam and Rotterdam*. ICCM, Amsterdam: 104-116.
- Stanbury, M., 1990, Report on status of *Zuytdorp* artefact collection. In: McCarthy, *Zuytdorp. A report on the situation to date (June 1990)*. Report - Department of Maritime Archaeology, Western Australian Maritime Museum, No. 42.
- Stanbury, M., 1990, Navigational dividers from the VOC ship *Zuytdorp*: preliminary observations and discussion. In: McCarthy, *Zuytdorp. A report on the situation to date (June 1990)*. Report - Department of Maritime Archaeology, Western Australian Maritime Museum, No. 42.
- Stanbury, M., 1991, *Historic areas of the Houtman Abrolhos. Code of Conduct recommendations for visitors to the islands. Prepared for the Abrolhos Islands Consultative Council*. Report - Department of Maritime Archaeology, Western Australian Maritime Museum, No. 44.
- Weaver, F. et al., (199-), Report on the *Zuytdorp* land excavation. (in preparation)
- Wilson, S.J., 1989, *Doits to Ducatons. The coins of the Dutch East India Company ship Batavia*. Western Australian Museum, Perth.

## References

- Bevacqua, R., 1974a, *Report of a test excavation on Beacon Island*. Report - Department of Maritime Archaeology, Western Australian Maritime Museum, No. 1
- Bevacqua, R., 1974b, *The Slaughter Point site: an archaeological investigation of a site associated with the Batavia shipwreck* Report - Department of Maritime Archaeology, Western Australian Maritime Museum, No. 2.
- Bowman, 1957, *Antique guns*.
- Craddock, P.T. and Hook, D.R., 1987, Ingots from the sea: The British Museum collection of ingots. *The International Journal of Nautical Archaeology*, 16.3: 201-206.
- Culme, J., 1987, Directory of gold and silversmiths, jewellers & allied traders 1838-1914. Woodbridge.
- Dubbe, B., (Ed.), 1979, *Keur van Tin*. (a catalogue of the exhibition).
- Forsell, H., et al., 1985, *Sea Finland* The National Board of Antiquities of Finland.
- Godfrey, I.M. and King Smith, N., 1990, Conservation of degraded rope from marine archaeological sites. Bulletin of the Australian Institute for the Conservation of Cultural Material, 16:93-107.
- Godfrey, I.M. and Richardson, G.W., 1990, Analysis of waterlogged leather using Fourier transform infrared (FT-IR) spectroscopy - a preliminary study. *Bulletin of the Australian Institute for the Conservation of Cultural Material*, 16:73-84.
- Gomez, Olga Vallespin, 1986, The Copper Wreck (Pecio del Cobre). *The International Journal of Nautical Archaeology*, 15.4: 305-322. (For lead ingots see pp 317-321,
- Green, J.N., 1989, *The AVOC Rcourschip Batavia Wrecked Western Australia 1629. Excavation report and artefact catalogue*. British Archaeological Reports, Oxford, BAR International Series 489.
- Hawley, J.K., 1989, The conservation of waterlogged rope from a sixteenth century Basque whaling ship. In I.D. MacLeod (ed.), *Conservation of Wet Wood and Metal*,:19-37.
- Henderson, G. and K.J. , 1988, Unfinished voyages. Western Australian shipwrecks 1851-1880. University of Western Australia Press, Perth.
- Hulst, R., 1987, Casks as a packing material: an archaeological typology and historical reconstruction. In: J.H.G. Gawronski (ed.), *V.O.C. Schip Amsterdam 1986. Annual Report of the VOC-Schip "Amsterdam" Foundation 1986*. Amsterdam: 73-85.
- Ingleman-Sundberg, C., 1976, *The VOC ship Zeewijk 1727. Report on the 1976 survey of the site*. Report - Department of Maritime Archaeology, Western Australian Maritime Museum, No. 5.
- Ingleman-Sundberg, C., 1978, *The Dutch East Indiaman Zeewijk wrecked in 1727: a report on the 1978 expedition to the site*. Report - Department of Maritime Archaeology, Western Australian Maritime Museum, No. 10.
- Larn, Richard, (Ed.), 1985, The wreck of the Dutch East Indiaman *Campen* on the Needles rocks Isle of Wight, 1627 - Part 2. *The International Journal of Maritime Archaeology*, 14.2: 97-118.
- Maat, G.J.R., 1981, Human remains at the Dutch whaling stations on Spitzbergen. A physical anthropological study. In: A.G.F. van Holk (ed.), *Early European exploitation of the Northern Atlantic 800-1700*. Arctisch Centrum, Groningen.
- Maat, G.J.R., 1987, Osteology of human remains from Amsterdamøya and Ytre Norskøya. *Smeerenburg Seminar. Institut Rapport serie*,38: 35-54.
- Marsden, Peter, 1974, *The wreck of the Amsterdam*. Hutchinson, London.
- Mörzer Bruyns, W.F.J., 1988, Curator, Nederland Scheepvaart Museum, Personal communication.
- Mörzer Bruyns, W.F.J., 1989, Het VOC schip *Lastdrager* en de J.C.M. Warnsinekprijs van de Nederlandse Vereniging voor Zeegeschiedenis. Overdruk uit (reprinted from): *Tijdschrift voor Zeegeschiedenis*, 8. 1: 79-82.
- Paardekooper, M., 1987, Conservation of the finds: general survey and preliminary results - leather. In J.H.G. Gawronski (ed.), *V.O.C. Schip Amsterdam 1986. Annual Report of the VOC-Schip "Amsterdam" Foundation 1986*. Amsterdam.
- Price, R., Muckelroy, K. and Willies, L., 1980, The *Kennemerland* site. A report on the lead ingots. *The International Journal of Nautical Archaeology*, 9.7: 25
- Sténuit, R., 1974, Early relics of the VOC trade from Shetland. The wreck of the flute *Lastdrager* lost off Yell, 1653. *The International Journal of Nautical Archaeology*, 3.2: 213-256.
- Varman, R. V., 1991, Personal communication.
- Gomez, Olga Vallespin, 1986, The Copper Wreck (Pecio del Cobre). *The International Journal of Nautical Archaeology*, 15.4: 305-322. (For lead ingots see pp 317-321,
- Green, J.N., 1989, *The AVOC Rcourschip Batavia Wrecked Western Australia 1629. Excavation report and artefact catalogue*. British Archaeological Reports, Oxford, BAR International Series 489.
- Hawley, J.K., 1989, The conservation of waterlogged rope from a sixteenth century Basque whaling ship. In I.D. MacLeod (ed.), *Conservation of Wet Wood and Metal*,:19-37.
- Henderson, G. and K.J. , 1988, Unfinished voyages. Western Australian shipwrecks 1851-1880. University of Western Australia Press, Perth.
- Hulst, R., 1987, Casks as a packing material: an archaeological typology and historical reconstruction. In: J.H.G. Gawronski (ed.), *V.O.C. Schip Amsterdam 1986. Annual Report of the VOC-Schip "Amsterdam" Foundation 1986*. Amsterdam: 73-85.
- Ingleman-Sundberg, C., 1976, *The VOC ship Zeewijk 1727. Report on the 1976 survey of the site*. Report - Department of Maritime Archaeology, Western Australian Maritime Museum, No. 5.
- Ingleman-Sundberg, C., 1978, *The Dutch East Indiaman Zeewijk wrecked in 1727: a report on the 1978 expedition to the site*. Report - Department of Maritime Archaeology, Western Australian Maritime Museum, No. 10.
- Larn, Richard, (Ed.), 1985, The wreck of the Dutch East Indiaman *Campen* on the Needles rocks Isle of Wight, 1627 - Part 2. *The International Journal of Maritime Archaeology*, 14.2: 97-118.
- Maat, G.J.R., 1981, Human remains at the Dutch whaling stations on Spitzbergen. A physical anthropological study. In: A.G.F. van Holk (ed.), *Early European exploitation of the Northern Atlantic 800-1700*. Arctisch Centrum, Groningen

# Catalogue of artefacts for allocation and consideration

*Batavia/Zeewijk*  
*Vergulde Draeck*  
*Zuytdorp* [Wreck]  
*Zuytdorp* [Land]

BATAVIA		Year	WR	Reg No	Sx	No	Item	Mat	Location	ANCOOS	Allocation	Notes
							2. CERAMICS					
1986	BAT	21539					Sherds from inside reef					
	BAT	to					Sherds from inside reef					
	BAT	21557					Sherds from inside reef					
	BAT	21558					Control reproduction jug					
	BAT	21559					Control saucer					
	BAT	21560					Control brick					
1987	BAT	21561					Sherds from inside reef					
	BAT	to					Sherds from inside reef					
	BAT	21571					Sherds from inside reef					
1988	BAT	21572					Sherds from inside reef					
	BAT	to					Sherds from inside reef					
	BAT	21608					Sherds from inside reef					
1989	BAT	21609					Sherds from inside reef					
	BAT	to					Sherds from inside reef					
	BAT	21652					Sherds from inside reef					
							3. NON-FERROUS					
							3.31 Bronze					
1963	BAT	3639					CANNON, bronze	31	FS/Tank E			From HMAS Stirling
							3.32 Copper/Brass					
1973	BAT	3887					Copper sheet w/ cut out pieces Lg 0.6	32	OO			
1986	BAT	3879					Unid. fitting - brass	32	OO			Donor J. Alchin
1986	BAT	3880					Unid. fitting - brass	32	OO			Donor J. Alchin
1991	BAT	3895					Brass Spigot	32	BC			Donor J. Alchin W/site 12-15 years ago
							3.33 Pewter					
1976	BAT	3814					Bottle cap, pewter	33	BAT 5			
1988	BAT	3886					Bowl	33	BC			Donation: P/Reg. 3104
1986	BAT	3878					Bottle cap	33	BC			Donor J. Alchin
							3.34 Lead					
1970	BAT	693					Lead, large squashed sheet	34	BAT 5			
1973	BAT	3450	B				Lead/tin alloy, thin folded pieces	34	BAT 5			
80/86	BAT	3876					31 Musket balls	34	BC			S. Jones
1991	BAT	3892					4 Musket balls	34				Donor J. Alchin W/site c. 1972-75
1991	BAT	3893					10 Musket balls	34				Donor J. Alchin

BATAVIA		Year	WR	Reg No	Sx	No	Item	Mat	Location	ANCODS	Allocation	Notes
1986	BAT 3877			1	Lead cap - square	34	BC				Donor J. Alchin	W/site c. 1972-75
	BAT 3888				Lead sheet	34	BC					
1989	BAT 3889			9	Lead sheet	34	BC					
1989	BAT 3890				Lead sheet w/ nail holes	34	BC					
1989	BAT 3891			4	Lead sheet	34	BC					
1991	BAT 3894				Sounding lead - conical	34	BC				Donor J. Alchin	W/site c. 1972-75
					4. MISCELLANEOUS							
					4.43 Resin/Wax etc.							
1973	BAT 4624				Amber bead	43	MM/EGT/83					
1974	BAT 4625				Amber bead	43	BAT 11					
1985	BAT 4626				Amber bead	43	BAT 11					
					4.48 Marine							
1991	BAT 4632			2	Coral beads	48	Storage				Donor J. Alchin	W/site c. 1972-75
					4.44 Glass							
1983	BAT 4620			3	Bottle glass fragments, green	44	BAT 11					
1989	BAT 4627			1	Case bottle base fragment	44	CO					
1989	BAT 4628			1	Case bottle sherd	44	CO					
1989	BAT 4629			1	Beaker sherd	44	CO					
1991	BAT 4630			4	Glass flat with bevel - window pane ?	44	CO				Donor J. Alchin	W/site c. 1972-75
1991	BAT 4631			3	Glass flat with bevel - window pane ?	44	CO				Donor J. Alchin	W/site c. 1972-75
					4.46 Rope/Leather etc.							
1973	BAT 4087				Rope, coiled around ?reed or twig	46	BAT 11					
					4.47 Textile							
1967	BAT 4623				Textile [ex-Land site Beacon Is]	47	BAT 11					
					5. TIMBER							
					6.62 Armament							
1974	BAT 4359				Powder ladle handle (wood)	62	BAT 10					
1974	BAT 4359				Powder ladle	32	MM/UGTD8				WA 1975	
1976	BAT 6472				Wood plug from cannon ball	62	BAT 10					
1975	BAT 6377				Musket stock + ramrod	62	BAT 10					Treatment not successful
1975	BAT 6378				Musket stock	62	BAT 10					Treatment not successful
1975	BAT 6379				Musket stock + ramrod	62	BAT 10					Treatment not successful
					6.63 Cargo							
1974	BAT 4362				SMALL BARREL	63	BAT 10		View			To be restored

BATAVIA		Year	WR	Reg No	Sx	No	Item	Mat	Location	ANCO DS	Allocation	Notes
1974	BAT	4362					Barrel stave pieces	63	BAT 10			
1974	BAT	4363					Barrel stave	63	BAT 10			
1974	BAT	4364					Barrel stave	63	BAT 10			
1974	BAT	4365					Barrel stave	63	BAT 10			
1974	BAT	4366					Barrel stave	63	BAT 10			
1974	BAT	4367					Barrel stave	63	BAT 10			
1974	BAT	4368					Barrel stave	63	BAT 10			
1974	BAT	4369					Barrel stave	63	BAT 10			
1974	BAT	4370					Barrel stave	63	BAT 10			
1974	BAT	4371					Barrel stave	63	BAT 10			
1974	BAT	4372					Barrel stave	63	BAT 10			
1974	BAT	4373					Barrel stave	63	BAT 10			
1974	BAT	4374					Barrel stave	63	BAT 10			
1974	BAT	4375					Barrel stave	63	BAT 10			
1974	BAT	4376					Barrel stave	63	BAT 10			
1974	BAT	4377					Barrel lid marked W W W	63	BAT 10			
1974	BAT	4378					Barrel lid marked WOC?	63	BAT 10			
1975	BAT	6381					Barrel hoops - poor condition	63	BAT 10			
							<b>6.64 Fittings</b>					
1975	BAT	6447					Pulley block, single sheave	64	BAT 10			
							<b>6.65 Tools</b>					
1973	BAT	4138					Handle, wood - knob section	65	BAT 10			
							<b>6.67 Miscellaneous</b>					
1974	BAT	4379					Book cover w/brass fitting	67	BAT 10			
1974	BAT	4380					Book cover [w/brass pin]	67	BAT 10			
1974	BAT	4402					Shoe sole - cork	67	BAT 11			
							<b>8. FERROUS</b>					
							<b>8.81 Armament</b>					
1970	BAT	8734					Armour concrete	81	MAD	View only		
1974	BAT	8721				1	CANNON, iron	81	MM/JG/TD5			Should be complete
1973	BAT	8724				1	CANNON, iron	81	WS			Should be complete
1973	BAT	8726				1	CANNON, iron	81	WS			Should be complete
1971	BAT	80309				1	CANNON, iron	81	WS			Should be complete
1973	BAT	3119				10	Cannon balls	81	WS			Should be complete

BATAVIA		Year	WR	Reg No	Sx	No	Item	Mat	Location	ANCO DS	Allocation	Notes
1973	BAT	3129		2		Cannon balls	81	WG				
1973	BAT	3365		1		Cannon balls	81	WG				
1974	BAT	8589		2		Cannon balls	81	WG				
1975	BAT	8788		1		Cannon balls	81	WG				
1975	BAT	8789		1		Cannon balls	81	WG				
1975	BAT	8859		1		Cannon balls	81	WG				
1975	BAT	8993		1		Cannon balls	81	WG				
1975	BAT	9098		1		Cannon balls	81	WG				
1975	BAT	80004		1		Cannon balls	81	WG				
1975	BAT	80021		1		Cannon balls	81	WG				
1975	BAT	80089		1		Cannon balls	81	WG				
1976	BAT	80205		1		Cannon balls	81	WG				
	BAT	No No		24		Cannon balls	81	WG				
1989	BAT	80358		1		Cannon ball	81					
1973	BAT	3101				Expanding [link shot], half	81	BAT 4				
1973	BAT	3107		2		Expanding [link shot], half	81	BAT 4				
1973	BAT	3120		2		Expanding [link shot], half	81	BAT 4				
1973	BAT	3127		1		Expanding [link shot], half	81	BAT 4				
1973	BAT	3128		2		Expanding [link shot], half	81	BAT 4				
1973	BAT	3196		2		Expanding [link shot], half	81	BAT 4				
1973	BAT	3351		2		Expanding [link shot], half	81	BAT 4				
1974	BAT	8268		2		Expanding bar shot pieces	81	BAT 4				
1974	BAT	8681				Eroded head of expanding bar shot	81	BAT 4				
1974	BAT	8555				Grenade	81	BAT 4				
1973	BAT	3105				Spike shot	81	BAT 4				
1973	BAT	3121				Spike shot	81	BAT 4				
1973	BAT	3123		1		Spike shot	81	BAT 4				
1975	BAT	80023				Spike shot	81	BAT 4				
1974	BAT	8134		1		Spoon	83	BAT 4				
						<b>8.82 Fittings</b>						
1980	BAT	80342				Nail	82	BAT 4				
1986		80347				Nail head - demineralised	82	MA				
1986		80348				Nail	92	MM				
1989		80349				Nail concretion + misc frags	92	MM				



BATAVIA		Year	WR	Reg No	Sx	No	Item	Mat	Location	ANCOOS	Allocation	Notes
1989				80350			Nail of spike	82	BC			
1989				80352			Bolt? concretion	82	BC			
1989				80353			Nail concretion	82	BC			
1989				80354		2	Nails (conc) + conc	82	BC			
1989				80356			Bolt concretion	82	BC			
1989				80357			Concretion of iron bolt in wood	82	MA			Beacon Is. - J. Castle
1989				80361			Unidentified fitting ? gudgeon	82	CO			
1989				80362		3	Unidentified fitting ? gudgeon	82	CO			
1989				80363			Bolt conc - shaft Lg 41 cm; Di 5 cm	82				
1989				80364			Bolt conc - w/head Lg 27 cm; Di 4.5 cm	82				
1989				80365	A		Bolt conc - shaft frg Lg 25 cm; Di 3.5 cm	82				
1989				80365	B		Bolt head - 9 x 5.5 cm	82				
1989				80366			Bolt w/head - Lg 33 cm	82				
1989				80367			Bolt w/head - Lg 18 cm	82				
1989				80368			Bolt shaft - Lg 45 cm; Di 4.5 cm	82				
							<b>8.86 Concretions</b>					
1973	BAT			3382			Concretion, unid. ?w/ tin type metal	86	MA			
1989	BAT			80369			Concretion pieces from Beacon Is.		WG			

ZEEWIJK		Year	WR	Reg No	Sx	No	Item	Mat	Location	ANCODS	Allocation	Notes
1985	ZW	5577		1		Scissor handle	32	MM/UG/52				Found Gun Is W. Busby
		5578		1		Iron gun	81	G Lib/Tourist				Owner Max Cramer
1988	ZW	5580		1		Beardman jug (donation)	21	MM/UG/54B				Donated 1988
		5581		1		Barrel of nails	82	OO				Nail date c 1850-1860s
1991	ZW	5582		4		Stoneware wall sherds	21	SW/Storage			Donor J. Alchin	Found c.1972-75 Gun Island
1991	ZW	5583		1		Case bottle neck and shoulders	44	MA			Donor J. Alchin	Found c.1972-75 Gun Island
1991	ZW	5584		5		Case bottle wall sherds	44	MA			Donor J. Alchin	Found c.1972-75 Gun Island
1991	ZW	5585		1		Onion bottle neck	44	MA			Donor J. Alchin	Found c.1972-75 Gun Island
1991	ZW	5585		12		Onion bottle wall and base sherds	44	MA			Donor J. Alchin	Found c.1972-75 Gun Island
1991	ZW	5586		3		Wine glass bowl fragments	44	OO			Donor J. Alchin	Found c.1972-75 Gun Island
1991	ZW	5587		1		Wine glass stem	44	OO			Donor J. Alchin	Found c.1972-75 Gun Island
1991	ZW	5588		2		Clay pipes (2 complete bowls)	27	MA			Donor J. Alchin	Found c.1972-75 Gun Island
1991	ZW	5589		11		Clay pipe bowl fragments	27	MA			Donor J. Alchin	Found c.1972-75 Gun Island
1991	ZW	5590		78		Clay pipe stem fragments	27	MA			Donor J. Alchin	Found c.1972-75 Gun Island
1991	ZW	5591		1		Belt hook - Brass	32	MA			Donor J. Alchin	Found c.1972-75 Gun Island
1991	ZW	5592		1		Button - brass, conical	32	MA			Donor J. Alchin	Found c.1972-75 Gun Island
1991	ZW	5593		1		Lead fishing sinker - 3 holes	34	MA			Donor J. Alchin	Found c.1972-75 Gun Island
1991	ZW	5594		2		Flat iron strap fragments	84	MA			Donor J. Alchin	Found c.1972-75 Gun Island
1991	ZW	5595		2		Nail fragments	82	MA			Donor J. Alchin	Found c.1972-75 Gun Island
1991	ZW	5596		2		Iron bolt - head fragments	82	MA			Donor J. Alchin	Found c.1972-75 Gun Island
1991	ZW	5597		1		Iron ring section	82	MA			Donor J. Alchin	Found c.1972-75 Gun Island
1991	ZW	5598		5		3xcopper frags, 2xcopper strips	32	MA			Donor J. Alchin	Found c.1972-75 Gun Island
1991	ZW	5599		1		Bone head as 254	41	MA			Donor J. Alchin	Found c.1972-75 Gun Island

VERGULDE DRAECK - Wreck material							Allocation	Notes	
Year	WR	Reg No	Sx	No.	Item	Mat Location	ANCODS	Allocation	Notes
					<b>1. STONE</b>				
					<b>1.11 Slate</b>				
1972	GT	1539			Slate fragment	11 Tray 25			
1983	GT	1540	2		Slate pencil frags	11 Tray 25			
1983	GT	1542	2		Slate fragments	11 Tray 25			
1983	GT	1544			Slate fragment	11 Tray 25			
1983	GT	1546	2		Slate fragments	11 Tray 25			
1970	GT	1547	2		Slate fragments	11 BC	N/A		
					<b>1.14 Sharpening/Grinding</b>				
1983	GT	1541			Sharpening stone	14 Tray 25			
					<b>1.15 Flint</b>				
1983	GT	1535			Flint fragment	15 Tray 25			
1983	GT	1545			Flintstone fragment	15 Tray 25			
					<b>1.17 Unspecified</b>				
1983	GT	1548	5		Pumice	17 Tray 25			Unregistered WG
					<b>2. CERAMICS</b>				
					<b>2.21 Stoneware</b>				
1983	GT	2118			Jug, complete. Ht 130 mm	21 Tray 7L			
1983	GT	2119			Jug, complete. Ht 140 mm	21 Tray 7L			
1983	GT	2160			Jug, nearly complete	21 Tray 7L			
1983	GT	2171			Jug, restored, complete	21 Tray 7L			
					<b>2.22 Earthenware</b>				
1983	GT	2162			Cup with ring foot	22 MM/JG/32B			
1983	GT	2167	A		Cup (or testie) with footrim	22 Tray 11			Together w/2167B
1981	GT	2010			Plate - green glaze	22 MM/JG/32B			
1983	GT	2177			Skillet - restored	22 MM/JG/32B			
1981	GT	2055			Testie w/ concretion	22 MMEG/CD4			
1983	GT	2153			Testie - restored	22 MM/JG/TD4			
1981	GT	2054			Tripod jug w/ concretion	22 MM/JG/TD2			
1983	GT	2138			Tripod jug - complete	22 MM/JG/32B			See 1985: 12-14
1983	GI	2139			Tripod jug - restored	22 MM/JG/32B			
1983	GT	2166			Tripod jug	22 MM/JG/32B			See 1985: 12-14

VERGULDE DRAECK - Wreck material								
Year	WR Reg No	Sx	No.	Item	Mat Location	ANCO DS	Allocation	Notes
1983	GT 2126			Tripod skillet - restored	22 Tray 5			
1983	GT 2167	B		Tripod skillet	22 Tray 11			Together w/2167A
				<b>2.25 Bricks</b>				
1981	GT 2015			Fireplace bricks	25 MM/MAD	View		
				<b>3. NON-FERROUS</b>				
				<b>3.31 Bronze</b>				
1983	GT 3078			ASTROLABE	31 MM/EG/NV1			
1983	GT 3079			ASTROLABE: alidade	31 MM/EG/NV1			
1983	GT 3080			BELL section	31 MM/UG/25A			
				<b>3.32 Copper/Brass</b>				
	GT 3138			Baldric buckle w/leather	32 Leather tray			See 4.46
1981	GT 1533			Copper fragments	32 Tray 9			
1981	GT 3016		24	Copper fragments	32 Tray 9			
1981	GT 3024		19	Copper fragments	32 Tray 9			
1981	GT 3054			Copper sheathing ? from stempost	32 MM/UG/33A	D 1985		
	GT 3148		3	Copper sheeting + fragments	32 MM/33A/9			2 sheets display
1985	GT 3060			Key, brass ? vent picker	32 MM/UG 30	Viewed '85		Not allocated '85
1983	GT 3083			Musket stock plate	32 Tray 11	D 1985		
1981	GT 3098			Powder ladle	32 Tray 9			
1983	GT 3124			Strainer, brass	32 MM/UG 34B			
				<b>3.33 Pewter</b>				
1981	GT 3001			Bottle cap	33 Tray 15			
1981	GT 3002			Bottle cap	33 Tray 15			
1981	GT 3009			Bottle cap	33 Tray 15			
1981	GT 3011			Bottle cap	33 Tray 15			
1981	GT 3013			Bottle cap	33 Tray 15			
1981	GT 3014			Bottle cap	33 Tray 15			
1981	GT 3022			Bottle cap	33 Tray 15			
1981	GT 3044			Bottle cap	33 Tray 15			
1981	GT 3045			Bottle cap	33 Tray 15			
1981	GT 3046			Bottle cap	33 Tray 15			
1981	GT 3047			Bottle cap	33 Tray 15			

VERGULDE DRAECK - Wreck material							
Year	WR Reg No	Sx	No.	Item	Mat Location	Allocation	Notes
1981	GT 3048			Bottle cap	33 Tray 15		
1983	GT 3082			Bottle cap	33 Tray 15		
1983	GT 3089			Bottle cap	33 Tray 15		
1983	GT 3091			Bottle cap	33 Tray 15		
1983	GT 3094			Bottle cap	33 Tray 15		
1983	GT 3155			Bottle cap	33 Tray 15		
1983	GT 3122			Spoon handle	33 Tray 15		
1983	GT 3125			Spoon handle	33 Tray 15		
1983	GT 3128			Spoon handle	33 Tray 15		
1983	GT 3145			Spoon handle	33 Tray 15		
1983	GT 3049			Vessel handle	33 Tray 15		
1983	GT 3015			Pewter fragments	33 Tray 15		
				<b>3.34 Lead</b>			
1981	GT 3081			Musket balls	34 20		
1981	GT 3092			Musket balls	34 20		
1983	GT 3109			<b>SOUNDING LEAD</b>	34 Tray 18		
				<b>PLUMBING</b>			
1972	GT 16			Pipe section	34 WG		
1972	GT 34			1 Sheet 34 cm x 45 cm	34 WG		
1972	GT 808			Lead fragments	34 WG		
1972	GT 808	A		Pump dale - box section	34 MAD		
1972	GT 808	B		5 Lead sheet sections / fit above	34 MAD		
1983	GT 3150			Pump dale - box/pipe	34 WG		
1983	GT 3151	A		Pump dale - section/pipe	34 WG		
1983	GT 3151	B		3 Pump dale pipe sections	34 WG		
1983	GT 3152			3 Lead sheet joined	34 WG		
1983	GT 3167			Lead sheet	34 WG		
1983	GT 3168			Lead sheet - cf 1442	34 WG		
1972	GT 1442			2 Lead sheet; lining for Cu sheets GT316	34 WG		
				<b>4. MISCELLANEOUS</b>			
				<b>4.12 Fruits/Seeds etc.</b>			
1983	GT 3124	A		Seeds [with strainer]	42 Tray 1		

Vergulde Draeck

VERGULDE DRAECK - Wreck material							Mat	Location	ANCODS	Allocation	Notes
Year	WR	Reg No	Sx	No.	Item						
1981	GT	4032			Seeds		42	Tray 1			
1981	GT	4036			Seeds		42	Tray 1			
1983	GT	4100			Seeds		42	Tray 1			
1983	GT	4116			Pepper or spice ?		42	Tray 1			
1983	GT	4152			Seeds		42	Tray 1			
					4.43 Resin/Wax etc.						
1981	GT	4001		17	Amber		43	Tray 6	Post '85		
1981	GT	4004		1	Amber		43	Tray 6			
1981	GT	4010		12	Amber		43	Tray 6			
1981	GT	4012		1	Amber		43	Tray 6			
1981	GT	4015		5	Amber		43	Tray 6			
1981	GT	4018		1	Amber		43	Tray 6			
1981	GT	4025		13	Amber		43	Tray 6			
1981	GT	4028		2	Amber		43	Tray 6			
1981	GT	4034		5	Amber		43	Tray 6			
1981	GT	4038		4	Amber		43	Tray 6			
1981	GT	4042		1	Amber		43	Tray 6			
1981	GT	4043		1	Amber		43	Tray 6			
1981	GT	4044		4	Amber		43	Tray 6			
1981	GT	4048		3	Amber		43	Tray 6			
1981	GT	4049		6	Amber		43	Tray 6			
1981	GT	4058		1	Amber		43	Tray 6			
1983	GT	4077		1	Amber		43	Tray 6			
1983	GT	4080		3	Amber		43	Tray 6			
1983	GT	4086		1	Amber		43	Tray 6			
1983	GT	4092		2	Amber		43	Tray 6			
1983	GT	4094		1	Amber		43	Tray 6			
1983	GT	4099		1	Amber		43	Tray 6			
1983	GT	4102		2	Amber		43	Tray 6			
1983	GT	4109		4	Amber		43	Tray 6			
1983	GT	4123		21	Amber		43	Tray 6			
1983	GT	4140		4	Amber		43	Tray 6			

VERGULDE DRAECK - Wreck material										
Year	WR	Reg No	Sx	No.	Item	Ma:	Location	ANCODS	Allocation	Notes
1983	GT	4145		32	Amber	43	Tray 6			
					4.44 Glass					
1983	GT	4076		29	Case bottle fragments	44	Tray 3			
1983	GT	4078			Bottle neck	44	MM/UG/TD1			
1983	GT	4079		3	Case bottle fragments	44	Tray 3			
1983	GT	4082		4	Green glass fragments	44	Tray 3			
1983	GT	4085		2	Case bottle fragments	44	Tray 3			
1983	GT	4087		1	Colourless glass fragments	44	Tray 3			
1983	GT	4093		14	Case bottle fragments	44	Tray 3			
1983	GT	4095		1	Case bottle fragments	44	Tray 3			
1983	GT	4098		5	Bottle neck and case fragments	44	Tray 3			
1983	GT	4103		1	Case fragment	44	Tray 3			
1983	GT	4104		1	Case bottle base	44	Tray 3			
1983	GT	4119		11	Glass fragments	44	Tray 3			
1983	GT	4139		1	Base fragment	44	Tray 3			
1983	GT	4143		4	Case bottle fragment	44	Tray 3			
1983	GT	4153		1	Glass fragment	44	Tray 3			
					4.45 Leather					
1983	GT	3101			Baldric buckle and hasp [w/leather str	32	ANCODS		CMW 1985	No leather
1983	GT	3102			Baldric buckle w/leather	32	Tray 14			
1983	GT	3103			Baldric buckle w/ leather	32	Tray 14			
1983	GT	3104			Baldric buckle w/leather	32	Tray 14			
1983	GT	3105			Baldric buckle w/leather	32	Tray 14			
1983	GT	3107			Baldric buckle w/leather	32	Tray 14			
1983	GT	3108			Baldric buckle [with leather]	32	ANCODS		NL 1985	No leather
1983	GT	3136			Baldric buckle w/leather	32	Tray 14			
1983	GT	3147			Baldric buckle w/leather	32	Tray 14			
1983	GT	4112			Belt section/shoulder strap + more	46	Tray 14			
1972	GT	1346			Buckle, brass, small w/ leather	32	Tray 16		D 1985	
1972	GT	1347			Buckle, brass, w/leather strap	32	Tray 16		D 1985	
1972	GT	1348			Buckle, brass, w/leather strap	32	UG 30		D 1985	
1983	GT	3138			Buckle, brass, w/leather strap	32	Tray 16			

VERGULDE DRAECK - Wreck material									
Year	WR	Req No	Sx	No.	Item	Mat Location	ANCODS	Allocation	Notes
1972	GT	1058			Leather, rusty from concrete	46 Tray 11			
1972	GT	1082			Leather, thin sheet	46 Tray 17			
1972	GT	1105			Leather latchet	46 Tray 16	D 1985		
1972	GT	1124			Leather fragments	46 Tray 10	D 1985		
1972	GT	1128			Leather in concrete	46 Tray 16	D 1985		
1972	GT	4069			Leather in concrete	46 Tray 17			
1972	GT	4074			Leather sheet [? from barrel]	46 Tray 17	D 1985		
1972	GT	1057			Shoe leather	46 Tray 16	D 1985		
1972	GT	1092			Shoe sole /heel with wood pins	46 Tray 11			
1972	GT	1106			Shoe sole & other pieces	46 Tray 10	D 1985		
1972	GT	1108			Shoe heel with wood pins	46 Tray 13			
1972	GT	1110			Shoe leather	46 Tray 16	D 1985		
1972	GT	1113			Shoe heel w/ wood pins	46 Tray 13			
1972	GT	1114			Shoe heel w/ wood pins + welt	46 Tray 13			
1972	GT	1115			Shoe heel w/ wood pins	46 Tray 13			
1972	GT	1116			Shoe heel fragments	46 Tray 13	D 1985		
1972	GT	1117			Shoe sole fragments	46 Tray 16			
1972	GT	1118			Shoe innersole	46 Tray 13			
1972	GT	1122	A		Shoe heel [and fragments]	46 Tray 13	D 1985		
1972	GT	1122	B		Shoe heel fragments	46 Tray 13	D 1985		
1972	GT	1122	C		Shoe heel fragments	46 Tray 13	D 1985		
1972	GT	1123			Shoe sole fragment	46 Tray 16			
1972	GT	1127			Shoe sole and heel	46 BC /10	D 1985		
1972	GT	4031			Shoe, leather, heel w/wood pins	46 Tray 13			
1972	GT	4037			Shoe vamp	46 Tray 10			
1970	GT	4060			Shoe heel w/wood pins	46 Tray 13			
1972	GT	4064			Shoe sole fragments	46 Tray 17?			
1972	GT	4075			Shoe fragments	46 Tray 11			
1983	GT	4085			Shoe sole, heel fragments	46 16-Nov	D 1985		
1983	GT	4111			Shoe parts w/wood heel	46 Tray 10			
1983	GT	4113			Shoe parts w/ wood pins in heel	46 Tray 11			
1983	GT	4121			Shoe fragments	46 Tray 10			



VERGULDE DRAECK - Wreck material						
Year	WR	Reg No	Sx	No.	Item	Mat
1983	GT	4124			Shoe heel w/ wood pins	46 Tray 11
1983	GT	4126			Shoe sole	46 Tray 11
1983	GT	4128			Shoe sole	46 Tray 11
1983	GT	4096			Strap	46 Tray 17
1983	GT	4114			Strap pieces	46 Tray 16
					<b>NOT TREATED</b>	
1972	GT	4074			Leather sheet	46 BC
1983	GT	4147			Leather fragments	46 Tray 14
1972	GT	1127			Shoe	46 BC
1972	GT	1307			Shoe sole and rope	46 BC
1972	GT	1407			Shoe fragment	46 BC
1983	GT	4097			Shoe fragments	46 Tray 14
1983	GT	4125			Shoe sole fragments	46 BC
1983	GT	4127			Shoe sole fragments	46 Tray 14
1983	GT	4112			Strap - some treated	46 WR/RHC/16
					4.47 Textile	N/A - some
1986	GT	4151			Fabric - woven felted wool - piece	
					<b>6. TIMBER</b>	
					<b>6.61 Ship's timbers</b>	
1981	GT	6006			Outer sheathing fragments	61 BC
1981	GT	6007			Timber frags from under 6006	61 BG
1981	GT	6010			Timber fragments - unid.	61 BG
1981	GT	6011			Timber fragments - unid.	61 BG
1981	GT	6019			Timber fragments	61 BG
1981	GT	6026			Outer sheathing fragments	61 BG
1981	GT	6020			Skin piece + cowhair	61 Tray 15
1981	GT	6032			Timber knot	61 Tray 10
1983	GT	6073			Skin fragment	61 Tray 10
1983	GT	6075			Timber w/ treenails. Wd. 30 cm	61 Tray 15
1983	GT	6076			Curved timber. Lg 15 cm	61 Tray 9
1983	GT	6090			Timber w/treenails + holes	61 ?
1983	GT	6091	3		Timber, eroded	61 Tray 13

VERGULDE DRAECK - Wreck material								
Year	WR	Reg No	Sx	No.	Item	Mat Location	Allocation	Notes
1983	GT	6092		1	Timber w/sheathing nail holes	61 Tray 13		
1983	GT	6093		17	Timber - pieces	61 Tray 15		
1983	GT	6094		12	Timber w/treenail & nail holes	61 Tray 13		
1983	GT	6095		1	Timber, Th 80 mm	61 Tray 15		
1983	GT	6096		5	Timber - 7 outer sheathing Th 65 mm	61 Tray 13		
					<b>6.62 Armament</b>			
1983	GT	6089	A	3	Sword scabbard fragments	62 Tray 5		
1983	GT	6089	B	2	Sword handle fragments	62 Tray 5		
1983	GT	6099		1	Sword scabbard	62 MM	Seen '85	
					<b>6.63 Cargo</b>			
1981	GT	6002			Bamboo /cane from barrel	63 Tray 9		
1983	GT	6111			Barrel with pitch	63 Tray 8		
1983	GT	6079			Barrel band fragment	63 Tray 9		
1983	GT	6077			Barrel chock ? - shaped wedge	63 Tray 9		
1983	GT	6086			Barrel chock ? - shaped wedge	63 Tray 6		
1981	GT	6014			Barrel lid pieces	63 Tray 16/19		
1972	GT	6056		1	Barrel lid piece + 18 stave fragments	63 Tray 23		
1972	GT	6063		8	Barrel lid fragments	63 Tray 22		
1981	GT	6015			Barrel stave pieces	63 BG		
1981	GT	6021			Barrel stave - pieces	63 Tray 17		
1972	GT	6037		6	Barrel stave fragments	63 Tray 18		
1972	GT	6038		15	Barrel stave fragments	63 Tray 19		
1972	GT	6039		9	Barrel stave fragments	63 Tray 22		
1972	GT	6040		12	Barrel stave fragments	63 Tray 21		
1972	GT	6041		5	Barrel stave fragments	63 Tray 20		
1972	GT	6042		22	Barrel stave fragments wood frags	63 Tray 21		
1972	GT	6043		5	Barrel stave fragments	63 Tray 21		
1972	GT	6044		8	Barrel stave fragments	63 Tray 18		
1972	GT	6045		8	Barrel stave fragments	63 Tray 22		
1972	GT	6046		4	Barrel stave fragments	63 Tray 18		
1972	GT	6047		2	Barrel stave fragments	63 Tray 17		
1972	GT	6048		11	Barrel stave fragments	63 Tray 22		

VERGULDE DRAECK - Wreck material										
Year	WR	Reg No	Sx	No.	Item	Mat	Location	ANCODS	Allocation	Notes
1972	GT	6049		16	Barrel stave fragments	63	Tray 17			
1972	GT	6050		5	Barrel stave fragments	63	Tray 17			
1972	GT	6051		14	Barrel stave fragments	63	Tray 18			
1972	GT	6052		3	Barrel stave fragments	63	Tray 22			
1972	GT	6054		1	Barrel stave	63	Tray 23			
1972	GT	6055		4	Barrel stave fragments	63	Tray 17			
1972	GT	6057		16	Barrel stave fragments	63	Tray 19			
1972	GT	6058		14	Barrel stave fragments	63	Tray 21			
1972	GT	6059		5	Barrel stave fragments	63	Tray 18			
1972	GT	6060			Barrel stave fragments	63	Tray 17			
1972	GT	6061		6	Barrel stave fragments	63	Tray 17			
1972	GT	6062		11	Barrel stave fragments	63	Tray 19			
1972	GT	6064		5	Barrel stave fragments	63	Tray 22			
1972	GT	6065		12	Barrel stave fragments	63	Tray 23			
1972	GT	6066		6	Barrel stave fragments	63	Tray 23			
1972	GT	6067		6	Barrel stave fragments	63	Tray 19			
1972	GT	6068		3	Barrel stave fragments	63	Tray 22			
1972	GT	6069		2	Barrel stave fragments	63	Tray 17			
1972	GT	6070		5	Barrel stave fragments	63	Tray 22			
1981	GT	6005			Bung pieces	63	Tray 9			
1972	GT	6035			Bung	63		N/A		
1972	GT	6053		1	Barrel bung	63	Tray 17			
1983	GT	6080			Bung. Diam 75 mm	63	Tray 9			
1983	GT	6087			Bung. Diam 44 mm	63	Tray 9			
1983	GT	6082			Cask lid - small section	63	Tray 2			
1983	GT	6083			Cask bung - small pointed	63	Tray 3			
					<b>BILLET CRATES</b>					
1983	GT	6100		5	BILLET CRATE: 4 planks (sides) + 1 end	63	BG			
1983	GT	6101		2	BILLET CRATE: half - base	63	BG			
1983	GT	6102		4	BILLET CRATE: half	63	BG			
1983	GT	6103		5	BILLET CHAIR: half	63	BG			
1983	GT	6104		2	BILLET CRATE: half	63	BG			

VERGULDE DRAECK - Wreck material										
Year	WR	Reg No	SX	No.	Item	Mat	Location	ANCOODS	Allocation	Notes
1983	GT	6105		5	Planks 4 + end	63	BG			
1983	GT	6106		1	BILLET CRATE: plank section	63	BG			
1983	GT	6107		5	BILLET CRATE: half	63	BG			
1983	GT	6108		1	BILLET CRATE: plank section	63	BG			
1983	GT	6109		3	BILLET CRATE: end	63	BG			
1983	GT	6110		2	BILLET CRATE: plank + end	63	BG			
1983	GT	6117		1	<b>BILLET CRATE - complete</b>	63	MM33			
1984	GT	6120		3	BILLET CRATE: plank sections	63	BG			
1985	GT	6121		3	BILLET CRATE: sides and end	63	MM33			
1985	GT	6122		3	BILLET CRATE: end	63	BG			
1985	GT	6124		3	BILLET CRATE: half	63	BG			
1985	GT	6130		1	BILLET CRATE: part plank	63	BG			
1985	GT	6131		3	BILLET CRATE: half w/ild AVOC on end	63	BG			
1985	GT	6132		1	<b>BILLET CRATE: complete, no lid</b>	63	BG			
1985	GT	6155		1	BILLET CRATE: plank	63	BG			
1985	GT	6156			BILLET CRATE: lid frags	63	BG			
1985	GT	6157			BILLET CRATE: misc frags	63	BG			
					<b>6.64 Fittings</b>					
1981	GT	6003			Treenail	64	Tray 10			
1981	GT	6030			Treenail section	64	Tray 10			
1972	GT	6051	A	1	Treenail	64	Tray 18			
1983	GT	6072			Wooden cleat	64	Tray 9			
1983	GT	6074			Wooden fitting	64	Tray 13			
1983	GT	6081			Treenail section	64	Tray 20			
1983	GT	6097		2	Treenails fragments	64	Tray 15			
					<b>6.65 Tools</b>					
1981	GT	6027			Awl with brass ferrule	65	Tray 9			
1972	GT	6071		1	Caulking hammer handle	65	Tray 3	View		Hammer in CL
1981	GT	6029			Handle, pieces	65	Tray 9			
1981	GT	6001			Mallet head	65	Tray 3			
1983	GT	6078			Tool handle, part	65	Tray 9			
1983	GT	6112			Tool handle w/brass	65	Tray 3			

VERGULDE DRAECK - Wreck material							
Year	WR Reg No	SX No.	Item	Mat/Location	ANCODS	Allocation	Notes
1985	GT 6115		1 Tool handle w/wire	65 CL	N/A		
			<b>6.66 Bark/Bamboe etc.</b>				
1981	GT 6022		Birch bark	66 Tray 4			
1981	GT 6031		Birch bark fragments	66 Tray 4			
1972	GT 6034		Birch bark	66	N/A		
1983	GT 6085	5	Birch bark	66 Tray 4			
1983	GT 6088		Birch bark fragments	66 Tray 4			
1983	GT 6098		Bark fragments	66 Tray 4			
1983	GT 6118		Bark fragments	66 CL	N/A		
			<b>6.67 Miscellaneous</b>				
1981	GT 6028		Bead	67 Tray 1			
1983	GT 6084	22	Fan ribs	67 Tray 2			Not restored
1983	GT 6114	1	Bung from stoneware jug G12119	67 Tray 1			
			<b>6.60 Miscellaneous fragments</b>				
1972	GT 6036	10	Wood fragments, small	60 Tray 10			
1981	GT 6004		Small fragments of wood	60 Tray 21			
1983	GT 6113		Wood fragments	60 Tray 10			
1983	GT 6119		Air dried wood fragments	60 Tray 11			
			<b>8. FERROUS</b>				
			<b>8.81 Armament</b>				
1983	GT 8025	2	Bar shot	81 Tray 6			
1981	GT 8003	3	Cannon balls + 4 frags	81 CL	D 1985		To be completed
1981	GT 8007		Cannon ball	81 Tray 6			
1981	GT 8008	2	Cannon balls from bar shot	81 Tray 6			
1983	GT 8018	1	Bar shot ball	81 CL			To be ready
1983	GT 8019	1	Cannon ball	81 Tray 6			
1983	GT 8031	5	Cannon balls	81 Tray 6			
1983	GT 8032	1	Cannon ball	81 Tray 6			
			<b>8.82 Ship's fittings</b>				
1969	GT 672		ANCHOR - part only	82 ? where	D 1995		
1983	GT 8030		Chain link	82 Tray 6	D 1985		
1983	GT 8039		Iron fragments	82 Tray 6			

VERGULDE DRAECK - Wreck material									
Year	WR	Reg No	Sx	No.	Item	Mat Location	ANCODES	Allocation	Notes
1972	GT	1407			9.83 Tools etc.	83 Tray 6			
1983	GT	8016			Handle ? fragment	83 Tray 6			
1983	GT	8023			Scissors	83 Tray 6			
					Chisel				
					8.84 Cargo				
1983	GT	8027			Billet section - iron	84 Tray 6			

ZUYTDORP - Wreck site material							
WR Reg No. Sx	No.	Item	Mat	Location	ANCODS	Allocation	Notes
		<b>1. STONE</b>					
		<b>1.11 Slate</b>					
ZI 4057		Slate	11	00	N/A		
ZI 3936	1	Slate fragment	11	00	N/A		
ZI 4030	1	Slate pencil	11	00	N/A		
ZI 4058	2	Slate pencil	11	00	N/A		
ZI 4087	7	Slate pencil fragments	11	00	N/A		
ZI 4001	1	Slate piece w/ bevelled edge	11	00	N/A		
ZI 3375	4	Slate pieces	11	00	N/A		
		<b>1.12 Coal</b>					
ZI 4046		Coal	12	00	N/A		
ZI 4005	65	Coal fragments	12	00	N/A		
ZI 4081	5	Coal fragments	12	00	N/A		
		<b>1.15 Flint</b>					
ZI 4045	5	Flint - one in 2 pieces (?gunflints)	15	00	N/A		
ZI 4108	1	Gunflint set in lead (assoc w/ 4109)	15	MMIUG/39B	View		
ZI 3376	2	Gunflints	15	00	N/A		
ZI 3951	3	Gunflints	15	00	N/A		
		<b>1.17 Unspecified</b>					
ZI 3316	6	Pebbles	17	00	N/A		
ZI 3377	6	Pebbles	17	00	N/A		
ZI 4056	9	Pebbles	17	00	N/A		
ZI 3374		Stone	17	00	N/A		
ZI 4101		Stone - fragments	17	00	N/A		
ZI 3956		Stone - piece	17	00	N/A		
ZI 3984	3	Stones	17	00	N/A		
		<b>2. STONE</b>					
		<b>2.20 Unspecified</b>					
ZI 3935	28	Ceramic fragments - various	20	00	N/A		2 BW only available
ZI 4052 A	4	Ceramic sherds - various	20	00	N/A		
		<b>2.21 Stoneware</b>					
ZI 3996	42	Stoneware sherds	21	00	N/A		

ZUYTDORP - Wreck site material						
Year	WR Reg No.	Sx No.	Item	Mat	Location	ANCODS Allocation Notes
1988	ZT 3997	8	Ceramic sherds - miscellaneous	21	MA	
1987	ZT 3373	7	Stoneware sherds	21	OO	N/A
1988	ZT 4050	2	Stoneware sherds	21	OO	N/A
1987	ZT 3315	17	Stoneware sherds - saltglaze	21	OO	N/A
			<b>2.22 Earthenware</b>			
1988	ZT 4049	4	Earthenware sherds	22	OO	N/A
1988	ZT 3995	4	Terracotta sherds w/relief decoration	22	OO	N/A
			<b>2.27 Clay Pipes</b>			
1988	ZT 4066		Clay pipe - WH mark	27	OO	N/A
1988	ZT 4076		Clay pipe bowl /stems from conc.	27	OO	N/A
1987	ZT 3321	96	Clay pipe fragments	27	OO	N/A
1988	ZT 3934	197	Clay pipe fragments	27	OO	N/A
1987	ZT 3385		Clay pipe stem fragments	27	OO	N/A
1988	ZT 3998	17	Clay pipe stems and bowls	27	OO	N/A
1988	ZT 3999	78	Clay pipe stems and bowls	27	OO	N/A
1988	ZT 4000		Clay pipe stems and bowls	27	OO	N/A
			<b>2.29 Porcelain</b>			
1988	ZT 3993		Saucer/dish - Bird on a rock	29	MM/UG/39B	
1988	ZT 3994		Saucer/dish - Eight Trigrams	29	MM/UG/39B	
1988	ZT 4051	4	Saucer/dish - five Chakra	29	MM/UG/39B	
			<b>3. NON-FERROUS</b>			
			<b>3.31 Bronze</b>			
1988	ZT 3972		Astrolabe ring	31	MA	
1987	ZT 726		Gun - section	31	MM/UG/37	Old material
1986	ZT 3277		Gun - breech loading - middle section	31	MM/UG/37	
1988	ZT 3925	1	Gun - bronze - muzzle	31	MM/UG/39	
1986	ZT 3313		Gun - bronze Length 0.84 m	31	MM/UG/39	View
			<b>3.32 Copper/brass</b>			
1986	ZT 3271		Beck clasp, brass	32	MM/UG/39B	
1988	ZT 3974	1	Bowl w/circular footrim; handle miss	32	MM/UG/39B	
1987	ZT 3369	2	Brass sheet fragments	32	MA	
1987	ZT 3323	1	Buckle fragment	32	MM/UG/39B	



ZUYTDORP - Wreck site material										
Year	WR	Reg No.	Sx	No.	Item	Mat	Location	ANCODS	Allocation	Notes
1988	ZT	3968		1	Buckle, brass	32	MA			
1986	ZT	3270			Button, round, brass	32	MM/UG/39B			T. Bell '71
					<b>CARTRIDGE CASE/BELT</b>					
1987	ZT	3366			Buckle from cartridge belt, brass	32	MM/UG/39B	View		
1988	ZT	4080		1	Cartridge case - main holder, brass	32	MM/UG/39B	View		
1986	ZT	3278			Cartridge case - cylinder	32	MM/UG/39	View		
1988	ZT	3932		1	Cartridge case - cylinder	32	MM/UG/39B	View		
1988	ZT	4113		1	Cartridge case - cylinder	32	MA	View		Not treated
1988	ZT	3943			Cartridge case, 7 cylinders + 2 frags	32	MM/UG/39B	View		
1988	ZT	3971			Cartridge case, section w/musket ball	32	MM/UG/39B	View		
1988	ZT	3948		1	Touch hole pricker (?w/cartridge belt)	32	MM/UG/39B	View		
1987	ZT	3917			Copper fragments	32	OO	N/A		
1988	ZT	4120	C	4	Copper fragments	32	MA			
1988	ZT	3949		5	Copper pieces (? assoc w/3932)	32	MM/UG/39B			
1987	ZT	3322		2	Copper sheet w/holes	32	MA			
1988	ZT	4077		1	Ferrule [tool] brass w/ copper rivet	32	MA			
1988	ZT	4112		1	Ferrule [tool] copper - part	32	OO	N/A		
1986	ZT	3273			Ferrule [tool] part w/pin	32	MA			T. Bell '71
1988	ZT	4120	A		Fistal/wing nut - heart-shaped (unid)	32	MA			To be identified
1988	ZT	4040		1	Fish hook	32	MM/UG/39B			
1986	ZT	3272			Hinge plate	32	MM/UG/39B			T. Bell '71
					<b>FIREARMS</b>					
1988	ZT	3952		1	Musket side plate - Camer Zeeland	32	MM/UG/39B			
1988	ZT	4007			Musket side plate - Amsterdam	32	MM/UG/39B			Fits in Musket 4008
1988	ZT	3946			Musket side plate - AVOC Amsterdam	32	MM/UG/39B			
1988	ZT	4114		1	Ramrod pipe from musket	32	MA			
					<b>NAVIGATION DIVIDERS</b>					
1987	ZT	3356			Navigation dividers, Type	32	MA			
1987	ZT	3341			Navigation dividers, Type A	32	MM/UG/39B			
1987	ZT	3350			Navigation dividers, Type A	32	MM/UG/39B			
1987	ZT	3349			Navigation dividers, Type A	32	MM/UG/39B			
1987	ZT	3343			Navigation dividers, Type B	32	MM/UG/39B			

ZUYTDORP - Wreck site material										
Year	WR	Reg No.	Sx	No.	Item	Mat	Location	ANCODS	Allocation	Notes
1987	ZT	3345			Navigation dividers. Type C	32	MM/UG/39B			
1987	ZT	3346			Navigation dividers. Type D	32	MM/UG/39B			
1987	ZT	3355			Navigation dividers. Type D ?	32	MM/UG/39B			
1987	ZT	3348			Navigation dividers. Type D.	32	MM/UG/39B			
1987	ZT	3347			Navigation dividers. Type E	32	MM/UG/39B			
1987	ZT	3351			Navigation dividers. Type E	32	MM/UG/39B			
1987	ZT	3352			Navigation dividers. Type E.	32	MM/UG/39B			
1987	ZT	3353			Navigation dividers. Type E	32	MM/UG/39B			
1987	ZT	3354			Navigation dividers. Type E	32	MM/UG/39B			
1987	ZT	3342			Navigation dividers. Type E	32	MA			
1988	ZT	3947	B	1	Ornamental fitting - brass	32	MA			Needs identifying
1988	ZT	3947	A	1	Ornamental fitting - copper	32	MA			Needs identifying
1988	ZT	3975		1	Oval box base (copper/lead)	32	∅	N/A		
1987	ZT	3367		24	Pins - brass	32	MA			
1988	ZT	3967		2	Pins - brass	32	MA			
1988	ZT	4088		11	Pins - brass	32	MM/UG/39B			
					GUNNERY					
1988	ZT	3978		1	Powder ladle w/wood handle in situ	32	∅	N/A		
1988	ZT	4006			Powder ladle, part handle ?	32	∅	N/A		
					NAILS					
1987	ZT	3325		7	Nails - copper	32	MA			
1987	ZT	3406		2	Nails - clout head, copper	32	MA			1 w/copper attached
1987	ZT	3916			Nail	32	∅	N/A		
1988	ZT	3969		17	Nails - copper	32	MA			
1988	ZT	4014		6	Nails - copper	32	MA			
1988	ZT	4041		6	Nails - copper	32	MA			
					TUFTING NAILS					
1987	ZT	3324		64	Tufting nails	32	∅	N/A		
1987	ZT	3368		4	Tufting nails	32	MA			
1988	ZT	3945		138	Tufting nails	32	MA			
1988	ZT	4013		33	Tufting nails	32	MA			
1988	ZT	4042		26	Tufting nails	32	MA			

ZUYTDORP - Wreck site material										
Year	WR	Reg No.	Sx	No.	Item	Mat	Location	ANCODS	Allocation	Notes
1987	ZT	3913			Stud, large w/ lead filling	32	MA			
1988	ZT	4025	A	1	Unid shaped brass object	32	MA			? associated w/4120
					<b>3.33 Pewter</b>					
1987	ZT	3358			Bottle cap	33	CO	N/A		
1987	ZT	3359			Bottle cap	33	CO	N/A		
1987	ZT	3360			Bottle cap	33	CO	N/A		
1987	ZT	3914			Bottle cap	33	CO	N/A		
1987	ZT	3362			Bottle cap - part only	33	CO	N/A		
1988	ZT	4037		2	Bottle cap frags with thread	33	MA			
1987	ZT	3361			Bottle cap w/glass	33	CO	N/A		
1987	ZT	3915			Bottle cap, rim fragment	33	CO	N/A		
1988	ZT	4032			Chalice/ewer - Isaak Tiffeneau mark	33	CO	View		From conc. 4023
1988	ZT	4034		1	Cup, small	33	CO	N/A		
1988	ZT	3976		1	Funnel - VOC + Tudor Rose/Crown mark	33	CO	View		
1988	ZT	4067		2	Funnels - one inside the other	33	CO	View		Tudor Rose/Crown mark
1988	ZT	3973	A	1	Plate (charger) - AVOCM mark	33	CO	View		
1987	ZT	3357			Plate	33	BC	N/A		
1988	ZT	3940			Spoon	33	MM/UG/39B			
1988	ZT	4035			Spoon handle	33	MA			
1988	ZT	3941			Spoon, bowl eroded	33	MM/UG/39B			
					<b>3.34 Lead</b>					
1988	ZT	3942			Lead disk with hole ? candle base	34	MA			
1986	ZT	3279			Lead frag	34	SW			
1987	ZT	3364		3	Lead fragments	34	MA			
1988	ZT	4043		8	Lead fragments	34	CO/MA			2 MA - rest CO
1988	ZT	4120	D	1	Lead fragments	34	MA			
1987	ZT	3386			Lead ingot - 140.68 kg/ 1702 + star	34	MM/UG/42			
1987	ZT	3387			Lead ingot - 139.77 kg/various marks	34	MM/UG/42			
1987	ZT	3388			Lead ingot - 140.45 kg	34	MA			
1987	ZT	3389			Lead ingot - 114.75 kg (pre-frag)	34	GM	N/A		
1987	ZT	3390			Lead ingot - 54.19 kg	34	MA			
1987	ZT	3391			Lead ingot - 51.86 kg/EH FA marks	34	MA			

ZUYTDORP - Wreck site material									
Year	WR Reg No.	Sx	No.	Item	Mat	Location	ANCODS	Allocation	Notes
1987	ZI 3392			Lead ingot - 44.55 kg	34	MA			
1987	ZI 3393			Lead ingot - 54.63 kg/5 ?	34	MA			
1987	ZI 3394			Lead ingot - 43.65 kg	34	MM/UG/42			
1987	ZI 3395			Lead ingot - 55.85 kg	34	MM/UG/42			
1987	ZI 3396			Lead ingot - 51.45 kg/DP	34	MA			
1987	ZI 3397			Lead ingot - 38.04 kg (pre-treat)	34	GM	N/A		
1987	ZI 3398			Lead ingot - 43.85 kg	34	MA			
1987	ZI 3399			Lead ingot - 57.75 kg/T	34	MA			
1987	ZI 3400			Lead ingot - 53.59 kg/PK EF	34	MA			
1987	ZI 3401			Lead ingot - 57.079 kg (pre-tr/DD)	34	GM	N/A		
1988	ZI 4025		4	Lead pieces	34	MA			
1988	ZI 4024		2	Lead shot	34	MA			
1988	ZI 4039		1	Lead shot	34	MA			
1988	ZI 3944			Lead shot, w/ cartridge case	34	MA	View		
1988	ZI 4120	B	1	Lead square, possibly seal	34	MA			
1987	ZI 3326		5	Lead strips	34	MA			
1988	ZI 4026		11	Lead strips w/channel ?for glass pane	34	MA			To be available
1987	ZI 3363			Musket ball	34	MA			
1988	ZI 3953			Musket ball + lead fragments	34	CO			Will be completed
1988	ZI 4038		3	Musket balls	34	MA			
1988	ZI 4106		5	Musket balls	34	MA/CO			2 available
				4. MISCELLANEOUS					
				4.40 Human					
1987	ZI 3923		1	HUMAN BONE - Aboriginal	40	Anthropology			
				4.41 Animal					
				BUTTONS					
1988	ZI 4115		1	Button with shank, bone	41	CO		N/A	
1988	ZI 4102		1	Button, bone	41	CO		N/A	
1988	ZI 4116		1	Button/washer, with single hole	41	CO		N/A	
1988	ZI 4002			Buttons - bone	41	CO		N/A	
				COMBS					
1988	ZI 4003		5	Comb pieces (bone or ivory)	41	CO		N/A	

ZUYTDORP - Wreck site material							
Year	WR Reg No.	Sx No.	Item	Mat	Location	ANCOODS Allocation	Notes
1988	ZT 3927	3	Comb fragments, bone	41	OO	N/A	
1988	ZT 3928		Comb fragments, bone	41	OO	N/A	
1988	ZT 4078	1	Comb, bone, complete	41	OO	N/A	
1987	ZT 3338		Copper fragment	41	MA		
1988	ZT 4111	1	Cowhair ? from sheathing	41	OO	N/A	
1988	ZT 4103		Horsehair [from conc. 3978]	41	OO	N/A	
1988	ZT 4083	1	Tooth - animal	41	OO	N/A	
			<b>4.42 Fuit, seeds etc.</b>				
1988	ZT 4029	5	Fruit seeds	42	OO	N/A	
			<b>4.44 Glass</b>				
1987	ZT 3919		Bottle fragments	44	OO	N/A	
1988	ZT 3985		Bottle fragments, dark green	44	OO	N/A	
1988	ZT 4054	49	Bottle glass necks/ bases/sherds	44	OO	N/A	
1986	ZT 3274	2	Bottle glass, green	44	MA		T Bell '71
1987	ZT 3402		Case bottle fragments	44	OO	N/A	
1987	ZT 3379		Case bottle base section	44	OO	N/A	
1987	ZT 3918		Case bottle bases	44	OO	N/A	
1988	ZT 3982	12	Case bottle bases	44	OO	N/A	
1988	ZT 3981	35	Case bottle fragments	44	OO	N/A	
1988	ZT 3983	16	Case bottle necks	44	OO	N/A	
1987	ZT 3383	58	Colourless glass fragments [45]	44	MA		Other items in CO
1988	ZT 4099		Fine glass fragments	44	OO	N/A	
1988	ZT 3987	7	Glass fragments - colourless, ribbed	44	MM/UG/398		
1987	ZT 3339	106	Glass sherds	44	OO	N/A	
1987	ZT 3384	24	Glass w/ blue edge, ? plate [20]	44	MA		Other items in CO
1988	ZT 3937	74	Green glass frags incl. case bottle	44	OO	N/A	
1988	ZT 3986	1	Prunt from drinking glass	44	OO	N/A	
1987	ZT 3381	20	Romer glass fragments, green	44	MA		Other items in CO
			<b>TUMBLERS [Beakers]</b>				
1988	ZT 4052	C	Tumbler base - cut/engraved decorative	44	MM/UG/398		
1988	ZT 3967		Tumbler - base, 16 cut panels	44	MM/UG/398		
1988	ZT 3969		Tumbler - rim, colourless, engraved	44	MM/UG/398		

ZUYTDORP - Wreck site material								
Year	WR Reg No.	SX No.	Item	Mat	Location	ANCODS	Allocation	Notes
1988	ZT 3990		Tumbler - rim, colourless, engraved	44	MM/UG/39B			
1988	ZT 3979	1	Tumbler - complete, castle design	44	MM/UG/37			
1988	ZT 3980	1	Wine bottle - 'union' shape + cork	44	CO	N/A		
1988	ZT 3992		Wine glass base	44	MM/UG/39B			
1987	ZT 3920		Wine glass base frag, blue edge	44	CO	N/A		
1988	ZT 3988	3	Wine glass base fragments	44	MM/UG/39B			
1988	ZT 4055		Wine glass fragments	44	MA			
1988	ZT 4053		Wine glass stem - part	44	MM/UG/39B			
1988	ZT 3991		Wine glass stem, inverted baluster	44	MM/UG/39B			
1987	ZT 3382	72	Wine glass stems in fragments [55]	44	MA			Other items in CO
			4.46 Leather					
1988	ZT 4028		Leather - misc	46	CO	N/A		
1988	ZT 3955	3	Leather fragments	46	CO	N/A		
1988	ZT 3933	4	Leather fragments + 1 wood	46	CO	N/A		
1988	ZT 3956	2	Rope - pieces	46	CO	N/A		
1987	ZT 3319	4	Shoe leather frags	46	CO			
			4.49 General					
1988	ZT 4065		MERCURY from sword concretion	49	CO	N/A		
			5. COINS					
			5.51 Silver					
1986	ZT 3283		Coin concretion	51	SW			
1986	ZT 3282		Coin fragments	51	SW			
1988	ZT 4120		Coin fragments	51	SW			
1988	ZT 3957		Coins - Schillingen	51	SW			
1987	ZT 3405		Coins - concreted	51	SW			
1988	ZT 3963		Coins in concretion 700g	51	SW			Broken up
1986	ZT 3276		Double stuivers	51	SW			
1987	ZT 3327		Double stuivers	51	SW			
1986	ZT 3281		Ducaton	51	SW			
1988	ZT 3958		Ducaton	51	SW			
1988	ZT 4016		Ducaton	51	SW			
1988	ZT 4070		Ducaton	51	SW			

ZUYTDORP - Wreck site material									
Year	WR Reg No.	Sx No.	Item	Mat	Location	ANCODS	Allocation	Notes	
1987	ZT 3332		Ducations	51	SW				
1988	ZT 4018		Half Ducaton	51	SW				
1986	ZT 3280		Reals of Eight	51	SW				
1988	ZT 3960		Reals of Eight	51	SW				
1988	ZT 4021		Reals of Eight	51	SW				
1988	ZT 4074		Reals of Eight	51	SW				
1987	ZT 3331		Real of Eight	51	SW				
1988	ZT 4073		Reals of Four	51	SW				
1987	ZT 3330		Reals of Four	51	SW				
1988	ZT 3962		Reals of Four	51	SW				
1988	ZT 4020		Reals of Four	51	SW				
1988	ZT 3961		Reals of Two	51	SW				
1988	ZT 4019		Reals of Two	51	SW				
1988	ZT 4072		Reals of Two	51	SW				
1987	ZT 3329		Reals of Two	51	SW				
1986	ZT 3275		Schilling (SHELLINGEN)	51	SW				
1987	ZT 3328		Schillingen	51	SW				
1987	ZT 3365		Schillingen	51	SW				
1988	ZT 4015		Schillingen	51	SW				
1988	ZT 4069		Schillingen	51	SW				
1988	ZT 4071		Stuiver	51	SW				
1988	ZT 3959		Two stuiver	51	SW				
1988	ZT 4017		Two Stuivers	51	SW				
			5.52 Copper						
1988	ZT 3970		Copper Duit	52	SW				
			6. TIMBER						
			6.61 Ship's timber						
1987	ZT 3407	4	Pine timber - large pieces	61	MM/JG/37L	Old material		Ex ZT 90	
1987	ZT 3408	1	Pine timber 40 cm x 13 cm	61	MA				
1987	ZT 3912	1	Pine timber 90 cm x 19 cm	61	MA				
1987	ZT 3371		Wood sample	61	CO	N/A			
1988	ZT 4027	1	Wood with nail holes + misc pieces	61	CO	N/A			

ZUYTDORP - Wreck site material									
Year	WR Reg No.	Sx	No.	Item	Mat	Location	ANCODS	Allocation	Notes
1988	ZI 4084		1	Wood piece [ZUT 56]	61	00	N/A	Old Material	
				6.62 Armament					
				<b>MUSKETS</b>					
1988	ZI 3931		4	Musket pieces w/ ramrod section	62	00	N/A		
1988	ZI 3930		2	Musket sections, concreted	62	00	N/A		
1988	ZI 4008			Musket stock - part	62	00	N/A		
1988	ZI 4047			Musket stock - fragments	62	00	N/A		
1988	ZI 3965			Musket stock - fragmentss	62	00	N/A		
1988	ZI 4086			Musket stock part ? - wood from 3953	62	00	N/A		
1988	ZI 4022			Musket stock - pieces from conc 4022	62	00	N/A		
1988	ZI 3929			Musket stock - section	62	00	N/A		
1987	ZI 3317		1	Musket stock - pieces	62	00	N/A		
1988	ZI 4010			Musket stock - several pieces	62	00	N/A		
1988	ZI 4010		2	Musket trigger plate - copper	62	MA	View		
				<b>SWORDS</b>					
1987	ZI 3337			Sword handle	62	00	N/A		
1988	ZI 4023			Sword handle	62	00	N/A		
1988	ZI 4044		1	Sword handle ? - wooden, twisted	62	00	N/A		
1988	ZI 4059			Sword handle	62	00	N/A		
1988	ZI 4107			Sword handle in conc.	62	00	N/A		
1988	ZI 4009			Sword handle wire	62	00	N/A		
1988	ZI 3950		1	Sword handle, wire whipped	62	00	N/A		
1988	ZI 4033		1	Sword handle, wood w/ wire binding	62	00	N/A		
1988	ZI 4036			Sword scabbard (leather)	62	00	N/A		
1988	ZI 4048			Sword scabbard (leather)	62	00	N/A		
1988	ZI 4061			Sword scabbard - section	62	00	N/A		
1988	ZI 4062			Sword scabbard - section	62	00	N/A		
1988	ZI 4063			Sword scabbard - section	62	00	N/A		
1988	ZI 4064			Sword scabbard - section	62	00	N/A		
1987	ZI 3318		4	Sword scabbard - pieces	62	00	N/A		
1987	ZI 3335			Sword scabbard - pieces	62	00	N/A		
1988	ZI 4012			Sword scabbard, w/ embossing	62	00	N/A		



ZUYTDORP - Wreck site material							Mat	Location	ANCO DS	Allocation	Notes
Year	WR Reg No.	Sx No.	No.	Item							
1988	ZT 4011			Sword scabbard, wood /leather			62	00	N/A		
1987	ZT 3320		6	Sword scabbard/leather & wood			62	00	N/A		
				<b>6.64 Fittings</b>							
1988	ZT 3924		1	Pulley sheave - eroded			64	MA			
1987	ZT 3370			Pulley sheave, large			64	00	N/A		
				<b>6.65 Tools</b>							
1988	ZT 4079		1	Tool handle ? [from funnel conc. 4067			65	00	N/A		
1988	ZT 4031		1	Tool handle remains, wood/copper			65	00	N/A		
1988	ZT 3938			Tool handle, wood			65	00	N/A		
1988	ZT 4117		1	Tool handle, wood - degraded			65	00	N/A		
1988	ZT 3939			Tool handle, wood - part			65	00	N/A		
1987	ZT 3372			Wood needle - ? not maker's			65	00	N/A		
				<b>8. FERROUS</b>							
				<b>8.61 Armament</b>							
1988	ZT 4100			Cast iron rectangular object - part			80	00	N/A		
1988	ZT 3954			Cannon ball - c. 90 mm diam.			81	00	N/A		
1988	ZT 3964		16	Cannon ball pieces			81	00	N/A		
1988	ZT 3964		1	Cannon ball - part: 55 mm diam			81	00	N/A		
1988	ZT 4093		1	Cannon ball - 99 mm diam; Wt 3.556 kg			81	00	N/A		From gun ZT 3926
1988	ZT 3964		1	Expanding shot - ? 95 mm diam			81	00	N/A		
				<b>IRON GUNS</b>							
1988	ZT 4109		1	Firearm hammer mechanism in conc			81	00	N/A		
1988	ZT 4096			Greasy material for analysis			81	00	N/A		
1988	ZT 3314			Gun - worn section			81	00	N/A		
1988	ZT 3926		1	Gun - marked w/broad arrow and '8'			81	FS/Tank 9			Lg 2.59 m; Bore 11.2 cm
1988	ZT 4097			Gunpowder ?			81	00	N/A		
1988	ZT 4092		1	Hank tied string - front of cannon ball			81	00	N/A		
1988	ZT 4094		2	Hank tied string w/knot- behind			81	00	N/A		
1988	ZT 4095			Leather frags - ? from powder bag			81	00	N/A		
1988	ZT 4090		1	Tampion from iron cannon ZT3296			81	00	N/A		
1988	ZT 4091		1	Textile cover from tampion			81	00	N/A		
1987	ZT 3403		3	Iron fragments ? from cannon			81				

ZUYTDORP - Wreck site material									
Year	WR Reg No	Sx	No.	Item	Mat	Location	ANCODS	Allocation	Notes
1988	ZT 4023	A	2	Iron core frags from sword handle	81	CO	N/A		
1988	ZT 4082		8	Musket barrel concretions	81	CO	N/A		
1988	ZT 4110		3	Musket barrel concretions	81	CO	N/A		
				8.82 Ship's fittings					
1988	ZT 4068			ANCHOR	82	Tank B	N/A		
1988	ZT 4068			ANCHOR - ring section	82	WR	N/A		
1987	ZT 3922			Iron fairlead w/ conc + coin	82	MA			W/silica gel
1989	ZT 4104		2	Iron nail concretion	82	CO	N/A		
1988	ZT 4105		2	Iron pointer/nail	82	CO	N/A		
1987	ZT 3921		2	Iron spikes, large	82	MA			W/silica gel
				8.86 Concretions					
1987	ZT 3980			Conc w/case bottle base, pipes	86	CO	N/A		
1988	ZT 3973			Conc w/miscellaneous objects	86		N/A		Broken up
1988	ZT 4121		1	Concretion	86	GM	N/A		Old unregistered material
1987	ZT 3333		24	Concretions w/coin, pipes, glass	86		N/A		Divided - individ. material
1987	ZT 3334			Concretions w/coin, pipes, glass	86		N/A		Broken up
1987	ZT 3336			Clay pipes/coins/glass etc	86		N/A		Broken up
				NO REGISTRATION					
ZT 3378				NO REGISTRATION					
ZT 3404				NO REGISTRATION					
ZT 4060				NO REGISTRATION					
ZT 4075				NO REGISTRATION					
ZT 4085				NO REGISTRATION					
ZT 4088				NO REGISTRATION					
ZT 4089				NO REGISTRATION					
ZT 4118				NO REGISTRATION					
ZT 4119				NO REGISTRATION					

ZUYTDORP - Land site material							Mat	Location	ANCODS	Allocation	Notes
Year	WR	Reg No	Sx	No	Item						
1986	ZI	3284			Iron barrel hoop fragments		84	TR1/A			
1986	ZI	3285			Bone (human or animal ?)		40	TR1/A			
1986	ZI	3286		3	Stones		17	TR1/A			
1986	ZI	3287		1	Barnacles, clump		48	TR1/A			
1986	ZI	3288		11	Copper sheet fragments		32	TR1/A			
1986	ZI	3289		7	Copper nail fragments		32	TR1/A			
1986	ZI	3290			Case bottle fragment		44	TR1/A			
1986	ZI	3291		39	Iron fragments		88	TR1/A			
1986	ZI	3292		9	Sea shells		48	TR2/5			
1986	ZI	3293		40	Iron fragments		88	TR2/5			
1986	ZI	3294			Copper wire		32	TR2/5			
1986	ZI	3295		17	Copper fragments		32	TR2/5			
1986	ZI	3296			Iron concretion		86	TR2/7			
1986	ZI	3297			Iron bolt fragment		82	TR3/6			
1986	ZI	3298			Copper fragments		32	TR3/6			
1986	ZI	3299		22	Iron fragments		88	TR3/2			
1986	ZI	3300			Copper sheet w/nail hole		32	TR3/2			
1986	ZI	3301		22	Iron fragments		88	TR3/1			
1986	ZI	3302	A	1	Iron bolt fragment		82	TR3/4			
1986	ZI	3302	B	1	Iron fitting		82	TR3/4			
1986	ZI	3303		1	GLASS LENS: convex. Diam 41 mm		44	TR2/5			? idently
1986	ZI	3304		6	Glass frags: 5 case; 1 pale green		44	TR2/8			
1986	ZI	3305		1	Fish plate, iron		82	Near wood			
1986	ZI	3306		1	Ballast rock ?		13	Landing place			
1986	ZI	3308		13	Schellingen + 2 frags		51	?			Finder: Lamara
1986	ZI	3309		2	Stuivers		51	?			Finder: Lamara
1986	ZI	3310		1	Stoneware shard		21	?			Finder: Lamara
1986	ZI	3311		1	Stud head - piece missing		32	?			Finder: Lamara
1986	ZI	3312		5	Lead sheathing fragments		34	?			Finder: Lamara
1986	ZI	3312	A	1	Copper sheathing fragment		32	?			Finder: Lamara
					<b>BRECH BLOCK AREA</b>						
1987	ZI	3410			Iron - amorphous fragments		88	1A			Hole

ZUYTDORP - Land site material										
Year	WR	Reg No	Sx	No	Item	Mat	Location	ANCODS	Allocation	Notes
1987	ZT	3411			Iron spike fragments	82	1A			
1987	ZT	3412			Copper fragments	32	1A			
1987	ZT	3413			Shell fragments	48	1A			
1987	ZT	3414			Iron - amorphous fragments	88	2A			
1987	ZT	3415			Iron strap	84	2A			
1987	ZT	3416			Iron spike fragments	82	2A			
1987	ZT	3417			Copper fragments	32	2A			
1987	ZT	3418			Shell and shell fragments	48	2A			
1987	ZT	3419			Iron - amorphous fragments	88	3A			
1987	ZT	3420			Iron spike fragments	82	3A			
1987	ZT	3421			Copper fragments	32	3A			
1987	ZT	3422			Shell and shell fragments	48	3A			
1987	ZT	3423			Iron - amorphous fragments	88	4A			
1987	ZT	3424		2	Strap fragments	82	4A			
1987	ZT	3425			Iron spike pieces	82	4A			
1987	ZT	3426			Iron tack fragments	82	4A			
1987	ZT	3427			Copper fragments	32	4A			
1987	ZT	3428			Shell and shell fragments	48	4A			
1987	ZT	3429			Iron - amorphous fragments	88	5A			
1987	ZT	3430		4	Iron spike fragments	82	5A			
1987	ZT	3431		1	Iron tack	82	5A			
1987	ZT	3432			Copper fragments	32	5A			
1987	ZT	3433		4	Shell fragments (oyster)	48	5A			
1987	ZT	3434			Iron - amorphous fragments	88	4/5/6 Mixed			
1987	ZT	3435			Spike fragments -	88	4/5/6 Mixed			
1987	ZT	3436		2	Bolt pieces	82	4/5/6 Mixed			
1987	ZT	3437		3	Tack pieces	82	4/5/6 Mixed			
1987	ZT	3438			Copper fragments	32	4/5/6 Mixed			
1987	ZT	3439			Shell and shell fragments	48	4/5/6 Mixed			
1987	ZT	3440			Iron - amorphous fragments	88	6A			
1987	ZT	3441			Iron strap fragments	48	6A			
1987	ZT	3442			Iron spike fragments	82	6A			

ZUYTDORP - Land site material										
Year	WR	Reg No	Sx	No	Item	Mat	Location	ANCODS	Allocation	Notes
1987	ZT	3443			Tack pieces	82	6A			
1987	ZT	3444			Copper fragments	32	6A			
1987	ZT	3445			Shell and shell fragments	48	6A			
1987	ZT	3446			Iron - amorphous fragments	88	7A			
1987	ZT	3447			Iron strap fragments	84	7A			
1987	ZT	3448			Iron spike fragments	82	7A			
1987	ZT	3449			Iron bolt section	82	7A			
1987	ZT	3450			Iron tack pieces	82	7A			
1987	ZT	3451			Copper fragments	32	7A			
1987	ZT	3452			Charcoal	69	7A			
1987	ZT	3453			Shell fragments	48	7A			
1987	ZT	3454			Iron - amorphous fragments	88	5B			
1987	ZT	3455			Iron spike fragments	82	5B			
1987	ZT	3456			Copper fragments	32	5B			
1987	ZT	3457			Shell fragments	48	5B			
1987	ZT	3458			Iron - amorphous fragments	88	6B			
1987	ZT	3459			Iron spike fragments	82	6B			
1987	ZT	3460			Iron nail piece	82	6B			
1987	ZT	3461			Copper fragments	32	6B			
1987	ZT	3462			4 Real cob - 120 Reis c/stamp to 200	51	6B			Ref. 10874 NM
1987	ZT	3463		1	Charcoal	69	6B			
1987	ZT	3464		2	Shells	48	6B			
1987	ZT	3465			Iron - amorphous fragments	88	7B			
1987	ZT	3466			Iron spike fragments	82	7B			
1987	ZT	3467		4	Iron nail tack fragments	82	7B			
1987	ZT	3468			Copper fragments	32	7B			
1987	ZT	3469			Wood slithers	67	7B			
1987	ZT	3470			Shell and shell fragments	48	7B			
1987	ZT	3471			Iron - amorphous fragments	88	7B			
1987	ZT	3472			Iron strap fragments	84	7B			
1987	ZT	3473			Iron spike/bolt fragments	82	7B			
1987	ZT	3474		2	Iron nail fragments (small)	82	7B			

ZUYTDORP - Land site material										
Year	WR	Reg No	Sx	No	Item	Mat	Location	ANCODS	Allocation	Notes
1987	ZT	3475			Copper fragments	32	7B			
1987	ZT	3476			Shell and shell fragments	48	7B			
1987	ZT	3477			Iron - amorphous fragments	88	C6			
1987	ZT	3478			Iron strap fragments	84	C6			
1987	ZT	3479			Iron spike fragments	82	C6			
1987	ZT	3480			Iron nail fragments	82	C6			
1987	ZT	3481			Copper fragments	32	C6			
1987	ZT	3482			Copper Hinge	32	C6			
1987	ZT	3483			Charcoal	69	C6			
1987	ZT	3484			Shell fragments	48	C6			
1987	ZT	3485			Iron - amorphous fragments	88	C7			
1987	ZT	3486			Iron spike pieces	82	C7			
1987	ZT	3487			Copper pieces	32	C7			
1987	ZT	3488			Shell fragments	48	C7			
1987	ZT	3489			Iron - amorphous fragments	88	D5			
1987	ZT	3490			Iron strap fragments	84	D5			
1987	ZT	3491			Iron spike pieces	82	D5			
1987	ZT	3492			Copper pieces	32	D5			
1987	ZT	3493			Shell fragments	48	D5			
1987	ZT	3494			Iron - amorphous fragments	88	D6			
1987	ZT	3495			Iron strap fragment	84	D6			
1987	ZT	3496			Iron sizer/bolt fragments and head	82	D6			
1987	ZT	3497			Iron nail section	82	D6			
1987	ZT	3498			Copper fragments	32	D6			
1987	ZT	3499			Shell fragments	48	D6			
1987	ZT	3500			Iron - amorphous fragments	88	D7			
1987	ZT	3501			Iron spike/bolt fragments	82	D7			
1987	ZT	3502			Iron nail head/washer	82	D7			
1987	ZT	3503			Copper fragments	32	D7			
1987	ZT	3504			Shell fragments	48	D7			
1987	ZT	3505			Iron - amorphous fragments	88	E5/6			
1987	ZT	3506			Iron spike/bolt fragments	82	E5/6			

ZUYTDORP - Land site material										
Year	WR	Reg No	Sy	No	Item	Mat	Location	ANCODS	Allocation	Notes
1987	ZI	3507			Iron nail/bolt head in iron	82	E5/6			
1987	ZI	3508		1	Copper fragment	32	E5/6			
1987	ZI	3509			Shell and shell fragments	48	E5/6			
1987	ZI	3510			Iron - amorphous fragments	88	C8			
1987	ZI	3511			Iron bolt spike fragments	82	C8			
1987	ZI	3512			Iron spike fragments	82	C8			
1987	ZI	3513		1	Copper fragment	32	C8			
1987	ZI	3514		1	Musket ball	34				
1987	ZI	3515			Charcoal fragments	69	C8			
1987	ZI	3516			Shell fragments	48	C8			
1987	ZI	3517			Iron - amorphous fragments	88	E7			
1987	ZI	3518			Iron nails	82	E7			
1987	ZI	3519			Copper fragments	32	E7			
1987	ZI	3520			Shell fragments	48	E7			
1987	ZI	3521			NO REGISTRATION					
1987	ZI	3522		5	Iron strap pieces	84				T. Cooley Collection
1987	ZI	3523		2	Iron spike concretions	82				T. Cooley Collection
1987	ZI	3524		1	Iron spike/bolt section (large 3cm dia)	82				T. Cooley Collection
1987	ZI	3525			NO REGISTRATION					
					CLIFF TOP AREA					
1987	ZI	3526			Iron - amorphous fragments	88	A3			
1987	ZI	3527			Iron spike fragments	82	A3			
1987	ZI	3528			Copper fragments - melted	32	A3			
1987	ZI	3529			Glass fragments	44	A3			
1987	ZI	3530			Shell fragments	48	A3			
1987	ZI	3531			Charcoal fragments	69	A3			
1987	ZI	3532			Iron - amorphous fragments	88	B3			
1987	ZI	3533			Iron strap fragments	84	B3			
1987	ZI	3534			Iron nail fragments	82	B3			
1987	ZI	3535			Iron nails	82	B3			
1987	ZI	3536			Iron curved fragments (post-bent spike)	82	B3			
1987	ZI	3537			Iron spike fragments	82	B3			

ZUYTDORP - Land site material										
Year	WR	Reg No	Sx	No	Item	Mat	Location	ANCODS	Allocation	Notes
1987	ZT	3538		1	Copper fragment	32	B3			
1987	ZT	3539		1	Clay pipe fragment	27	B3			
1987	ZT	3540		2	Copper fragments melted	32	B3			
1987	ZT	3541		1	Copper nail/tack - 2 cm	32	B3			
1987	ZT	3542			Wood fragment	67	B3			
1987	ZT	3543			Shell fragments	48	B3			
1987	ZT	3544			Charcoal fragments	69	B3			
1987	ZT	3545			Iron - amorphous fragments	88	C3			
1987	ZT	3546			Strap fragments	84	C3			
1987	ZT	3547			Nails	82	C3			
1987	ZT	3548			Nail pieces	82	C3			
1987	ZT	3549			Unidentified iron object ? key/scissor	88	C3			
1987	ZT	3550			Copper fragments - melted	32	C3			
1987	ZT	3551		5	Copper nail/tacks 2 cm	32	C3			
1987	ZT	3552			Pewter fragment ?	33	C3			
1987	ZT	3553		1	Shell	48	C3			
1987	ZT	3554			Charcoal fragments	69	C3			
1987	ZT	3556			Iron - amorphous fragments	88	C4			
1987	ZT	3557			Nail and tacks - nearly complete (sma)	82	C4			
1987	ZT	3558			Large nail pieces	82	C4			
1987	ZT	3559			Large nail fragments	82	C4			
1987	ZT	3560			Iron - amorphous fragments	88	C4			
1987	ZT	3561			Copper nail/tack	32	C4			
1987	ZT	3561	A		Clay pipe fragments	27	C4 Spit 1			
1987	ZT	3561	B		Slate pencil fragment ?	11	C4 Spit 2			
1987	ZT	3562	A		Charcoal fragments	69	C4 Spit 1			
1987	ZT	3562	B		Shell and shell fragments	48	C4			
1987	ZT	3563			Iron - amorphous fragments	88	C5			
1987	ZT	3564			Nails	82	C5			
1987	ZT	3565			Nail pieces	82	C5			
1987	ZT	3566			Iron spike fragments	82	C5			
1987	ZT	3567			Copper fragments	32	C5			



ZUYDORP - Land site material										
Year	WR	Reg No	Sx	No	Item	Mat	Location	ANCODS	Allocation	Notes
1987	ZI	3568			Clay pipe fragments	27	C5 Spit 1			
1987	ZI	3569			Copper ball (2 mm)	32	C5 Spit 2			
1987	ZI	3570			Unidentified		C5 Spit 2			
1987	ZI	3571			Clay pipe fragments	27	C5			
1987	ZI	3572			Slate pencil fragment ?	11	C5			
1987	ZI	3573			Shell fragments	48	C5			
1987	ZI	3574			Charcoal fragments	69	C5			
1987	ZI	3575			Iron - amorphous fragments	88	C6			
1987	ZI	3576			Iron strap fragments	84	C6			
1987	ZI	3577			Iron nail fragments	82	C6			
1987	ZI	3578		1	Right angle nail fragment	82	C6			
1987	ZI	3579			Clay pipe fragments	27	C6			
1987	ZI	3580			Glass fragments	44	C6 Spit 1			
1987	ZI	3581			Slate fragments	11	C6 Spit 2			
1987	ZI	3582			Wood fragments	67	C6			
1987	ZI	3583			Charcoal fragments	69	C6			
1987	ZI	3584			Iron - amorphous fragments	88	C7			
1987	ZI	3585			Strap fragments	84	C7			
1987	ZI	3586			Curved spike fragment or part ring	82	C7			
1987	ZI	3587			Copper fragments	32	C7			
1987	ZI	3588			Glass fragments	44	C7			
1987	ZI	3589			Slate fragments	11	C7			
1987	ZI	3590			Wood fragments	67	C7			
1987	ZI	3591			Shell fragments	48	C7			
1987	ZI	3592			Charcoal fragments	69	C7			
1987	ZI	3593			Iron - amorphous fragments	88	D2			
1987	ZI	3594			Strap fragments	84	D2			
1987	ZI	3595		2	Iron spike fragments - possibly ring	82	D2			
1987	ZI	3596			Charcoal fragments	69	D2			
1987	ZI	3597			Charcoal fragments	69	D3			
1987	ZI	3598			Iron - amorphous fragments	88	D4			
1987	ZI	3599			Strap fragments	84	D4			

ZUYTDORP - Land site material										
Year	WR	Reg No	Sx	No	Item	Mat	Location	ANCO DS	Allocation	Notes
1987	ZT	3600			Nail fragments	82	D4			
1987	ZT	3601			Iron spike fragments	82	D4			
1987	ZT	3602			Modern light bulb socket	38	D4			
1987	ZT	3603			Copper fragment	32	D4			
1987	ZT	3604			Copper fragments - melted	32	D4			
1987	ZT	3605			Clay pipe fragments	27	Spit 1/2			
1987	ZT	3606			Glass fragment - case bottle	44	Spit 1			
1987	ZT	3607			Shell fragments	48	Spit 1			
1987	ZT	3608			Charcoal fragments	69	D4 spit 1			
1987	ZT	3609			Iron - amorphous fragments	88	D5 spit 2			
1987	ZT	3610			Iron - amorphous fragments	88	D5			
1987	ZT	3611			Iron - amorphous fragments	88	D5 spit 4			
1987	ZT	3612			Iron - amorphous fragments	88	D5 spit 1			
1987	ZT	3613			Iron - flat	88	D5 spit 4			
1987	ZT	3614		2	Nails	82	D5 spit 2			
1987	ZT	3615			Nail fragments	82	D5 spit 3			
1987	ZT	3616			Iron spike fragments	82	D5 spit 2			
1987	ZT	3617			Nail/spike fragments	82	D5 spit 4			
1987	ZT	3618			Clay pipe fragments	27	D5 spit 4			
1987	ZT	3619			Lead fragment	34	D5 spit 2			
1987	ZT	3620			Lead fragment	34	D5 spit 1			
1987	ZT	3621		1	Cork fragment	67	D5 spit 3			
1987	ZT	3622			Wood fragment	67	D5 spit 1			
1987	ZT	3623			Charcoal fragments and shell	69	D5 spit 3			
1987	ZT	3624			Charcoal fragments and shell	69	D5 spit 2			
1987	ZT	3625			Charcoal fragments and shell	69	D5 spit 4			
1987	ZT	3626			Shell fragments	48	D5 Bottom			
1987	ZT	3627			Iron - amorphous fragments	88	D6			
1987	ZT	3628			Nail fragments	82	D6			
1987	ZT	3629		2	Glass fragments - case	44	D6			
1987	ZT	3630			Copper fragments	32	D6			
1987	ZT	3631			Slate fragments	11	D6			

ZUYTDORP - Land site material										
Year	WR	Reg No	Sx	No	Item	Mat	Location	ANCODS	Allocation	Notes
1987	ZT	3632			Wood fragments	57	D6			
1987	ZT	3633			Shell fragments	48	D6			
1987	ZT	3634			Charcoal fragments	59	D6			
1987	ZT	3635			Iron strap fragments	84	D7			
1987	ZT	3636			Slate fragments	11	D7			
1987	ZT	3637			Iron - amorphous fragments	88	D8			
1987	ZT	3638			Flat strap	84	D8 spit 2			
1987	ZT	3639			Glass fragments	44	D6 spit 2			
1987	ZT	3640			Copper fragments	32	D8 spit 2			
1987	ZT	3641			Iron strap fragment	32	D8 spit 2 surf			
1987	ZT	3642			Copper fragments	32	D8 spit 2			
1987	ZT	3643			Shell fragments	48	D8 spit 2			
1987	ZT	3644			Charcoal fragments	59	D8 spit 2			
1987	ZT	3645			Iron - amorphous fragments + 2 nails	88	D9 spit 1			
1987	ZT	3646			Strap fragments	84	D9 spit 1			
1987	ZT	3647			Glass fragments	44	D9 spit 1			
1987	ZT	3648			Iron - amorphous fragments	88	E3 spit 2			
1987	ZT	3649			Nail fragments	82	E3 spit 2			
1987	ZT	3650			Copper fragments	32	E3 spit 2			
1987	ZT	3651			Shell	48	E3 spit 2			
1987	ZT	3652			Charcoal fragments	59	E3 spit 2			
1987	ZT	3653			Iron fragments	88	E4 surface			
1987	ZT	3654			Glass frag, iron, shell, charcoal-iny	44	E4 spit 1			
1987	ZT	3655			Charcoal fragments	59	E4 spit 2			
1987	ZT	3656			Iron - amorphous fragments	88	E5 spit 1			
1987	ZT	3657			Fabric - modern	47	E5 spit 1			
1987	ZT	3658			Glass fragments (windscreen) modern	44	E5 spit 1			
1987	ZT	3659			Rubber sandshoe sole - modern	49	E5 spit 1			
1987	ZT	3660			Shell fragments	48	E5 spit 1			
1987	ZT	3661			Charcoal fragments	59	E5 spit 1			
1987	ZT	3662			Glass fragments - modern	44	E5 spit 2			
1987	ZT	3663			Shell	48	E5 spit 2			

ZUYTDORP - Land site material										
Year	WR	Reg No	SX	No	Item	Mat	Location	ANCODS	Allocation	Notes
1987	ZT	3664			Charcoal	69	E5 spit 2			
1987	ZT	3665			Glass fragments - modern	44	E5 spit 3			
1987	ZT	3666			Glass fragments- case	44	E5 spit 3			
1987	ZT	3667			Shells and fragments	48	E5 spit 3			
1987	ZT	3668			Charcoal	69	E5 spit 3			
1987	ZT	3669			Iron - amorphous fragments	88	E6 spit 1			
1987	ZT	3670			Nail	92	E6 spit 1			
1987	ZT	3671			Copper fragments	32	E6 spit 1			
1987	ZT	3672			Shell fragments	48	E6 spit 1			
1987	ZT	3673			Charcoal	69	E6 spit 1			
1987	ZT	3674			Copper fragments	32	E6 spit 2			
1987	ZT	3675			Glass fragments - modern	44	E6 spit 2			
1987	ZT	3676			Shell	48	E6 spit 2			
1987	ZT	3677			Charcoal	69	E6 spit 2			
1987	ZT	3678			Iron - amorphous fragments	88	E6 spit 3			
1987	ZT	3679			Copper fragments	32	E6 spit 3			
1987	ZT	3680			Glass fragments - clear glass modern	44	E6 spit 3			
1987	ZT	3681			Shell fragments	48	E6 spit 3			
1987	ZT	3682			Charcoal fragments	69	E6 spit 3			
1987	ZT	3683			Glass fragments - clear glass modern	44	E6 spit 4			
1987	ZT	3684			Shell fragments	48	E6 spit 4			
1987	ZT	3685			Iron - amorphous fragments	88	E7 spit 1			
1987	ZT	3686		2	Nail	82	E7 spit 1			
1987	ZT	3687			Copper fragments	32	E7 spit 1			
1987	ZT	3688			Glass fragments - case	44	E7 spit 1			
1987	ZT	3689			Paint	49	E7 spit 1			
1987	ZT	3690			Charcoal	69	E7 spit 1			
1987	ZT	3691			Iron nail	82	E8 surface			
1987	ZT	3692			Glass fragments - clear	44	E8 surface			
1987	ZT	3693			Shell	48	E8 surface			
1987	ZT	3694			Iron - amorphous fragments	88	E8 spit 1			
1987	ZT	3695			Soap fragments	84	E8 spit 1			

ZUYTDORP - Land site material									
Year	WR	Reg No	Sx	No	Item	Mat Location	ANCOOS	Allocation	Notes
1987	ZT	3696			Iron spike fragments	82 E8 spit 1			
1987	ZT	3697			Glass fragments - case	44 E8 spit 1			
1987	ZT	3698			Slate fragments	11 E8 spit 1			
1987	ZT	3699			Rubber label from shoe	49 E8 spit 1			
1987	ZT	3700			Wood fragments	67 E8 spit 1			
1987	ZT	3701			Shell fragments	48 E8 spit 1			
1987	ZT	3702			Charcoal	69 E8 spit 1			
1987	ZT	3703			Iron - amorphous fragments	88 E8 spit 2			
1987	ZT	3704			Copper fragments	32 E8 spit 2			
1987	ZT	3705			Slate fragments	11 E8 spit 2			
1987	ZT	3706			Glass fragments - clear and dark	44 E8 spit 2			
1987	ZT	3707			Shell fragments	48 E8 spit 2			
1987	ZT	3708			Charcoal	69 E8 spit 1			
1987	ZT	3709			Iron - amorphous fragments	88 E9 spit 1			
1987	ZT	3710			Slate fragments	11 E9 spit 1			
1987	ZT	3711			Shell	48 E9 spit 1			
1987	ZT	3712			Iron - amorphous fragments	88 F3 spit 2			
1987	ZT	3713			Nail/spike fragments	82 F3 spit 2			
1987	ZT	3714			Bolt fragments	82 F3 spit 2			
1987	ZT	3715			Copper fragments	32 F3 spit 2			
1987	ZT	3716			Clay pipe fragments	27 F3 spit 2			
1987	ZT	3717			Charcoal fragments	69 F3 spit 2			
1987	ZT	3718			Iron - flat	84 F4 surface			
1987	ZT	3719			Iron - amorphous fragments	88 F4 spit 1			
1987	ZT	3720			Iron strap fragments	84 F4 spit 1			
1987	ZT	3721			Nail/spike fragments	82 F4 spit 1			
1987	ZT	3722			Copper fragments	32 F4 spit 1			
1987	ZT	3723			Clay pipe fragments	27 F4 spit 1			
1987	ZT	3724			Glass fragments - case bottle	44 F4 spit 1			
1987	ZT	3725			Charcoal	68 F4 spit 1			
1987	ZT	3726			Iron amorphous fragments	88 F5 spit 1			
1987	ZT	3727			Iron - flat	84 F5 spit 1			

ZUYTDORP - Land site material										
Year	WR	Reg No	Sx	No	Item	Mat	Location	ANCODES	Allocation	Notes
1987	ZT	3728			Clay pipe fragments	27	F5 spit 1			
1987	ZT	3729			Shell fragments	48	F5 spit 2			
1987	ZT	3730			Iron - amorphous fragments	88	F7 spit 1			
1987	ZT	3731			Copper fragments	32	F7 spit 1			
1987	ZT	3732			Glass fragments - case and clear	44	F7 spit 1			
1987	ZT	3733			Iron - amorphous fragments	88	F7 spit 2			
1987	ZT	3734			Copper fragments	32	F7 spit 2			
1987	ZT	3735			Charcoal	69	F7 spit 2			
1987	ZT	3736			Iron - amorphous fragments	88	F8 spit 1			
1987	ZT	3737			Rifle shell	32	F8 spit 1			
1987	ZT	3738			Glass fragments - case	44	F8 spit 1			
1987	ZT	3739			Shell fragments	48	F8 spit 1			
1987	ZT	3740			NO REGISTRATION					
1987	ZT	3741			Iron - amorphous fragments	88	F8 spit 2			
1987	ZT	3742			Pipe stem fragment	27	F8 spit 2			
1987	ZT	3743			Shell fragments	48	F8 spit 2			
1987	ZT	3744			Iron - amorphous fragments	88	F9 spit 1			
1987	ZT	3745			Copper fragments	32	F9 spit 1			
1987	ZT	3746			Cartridge case	32	F9 spit 1			
1987	ZT	3747			Case bottle fragments	44	F9 spit 1			
1987	ZT	3748			Iron - amorphous fragments	88	F9			
1987	ZT	3749			Iron - flat	84	F9			
1987	ZT	3750			Spike fragments	82	F9			
1987	ZT	3751			Case bottle fragments	44	F9			
1987	ZT	3752			Egg shell	41	F9			
1987	ZT	3753			Iron - amorphous fragments	88	G3 surface			
1987	ZT	3754			Iron - flat	84	G3			
1987	ZT	3755			Nail/spike fragments	82	G3			
1987	ZT	3756			Bolt fragments	82	G3			
1987	ZT	3757			Copper fragments	32	G3 surface			
1987	ZT	3758			Iron - amorphous fragments	88	G3 spit 1			
1987	ZT	3759			Iron nail fragments	82	G3 spit 1			

ZUYTDORP - Land site material										
Year	WR	Reg No	Sz	No	Item	Mat	Location	ANCOOS	Allocation	Notes
1987	ZT	3760			Unidentified iron	88	G3 spit 1			
1987	ZT	3761			Iron - flat	84	G3 spit 1			
1987	ZT	3762			Iron spike fragments - bolt	82	G3 spit 1			
1987	ZT	3763			Copper fragments	32	G3 spit 1			
1987	ZT	3764			Copper fragments - melted	32	G3 spit 1			
1987	ZT	3765			Iron - amorphous fragments	88	G4 surface			
1987	ZT	3766			Iron - amorphous fragments	88	G4 spit 1			
1987	ZT	3767			Iron - flat	84	G4 spit 1			
1987	ZT	3768			Nail fragments	82	G4 spit 1			
1987	ZT	3769			Iron spike fragments	82	G4 spit 1			
1987	ZT	3770			Copper fragments	32	G4 spit 1			
1987	ZT	3771			Molten metal		G4 spit 1			
1987	ZT	3772			Clay pipe fragments	27	G4 spit 1			
1987	ZT	3773			Charcoal fragments	68	G4 spit 1			
1987	ZT	3774			Iron - amorphous fragments	88	G5 spit 1			
1987	ZT	3775			Shell fragments	48	G5 spit 1			
1987	ZT	3776			Clay pipe fragments	27	G5 spit 1			
1987	ZT	3777			NO REGISTRATION					
1987	ZT	3778			Iron - amorphous fragments	88	G6 spit 1			
1987	ZT	3779			Sand	49	G6 spit 1			
1987	ZT	3780			Seed	42	G6 spit 1			
1987	ZT	3781			Shell fragments	48	G6 spit 1			
1987	ZT	3782			Charcoal	69	G6 spit 1			
1987	ZT	3783			Clay pipe fragments	27	G6			
1987	ZT	3784			Iron - amorphous fragments	88	G7 spit 1			
1987	ZT	3785			Copper fragments	32	G7 spit 1			
1987	ZT	3786			Shell fragments	48	G7 spit 1			
1987	ZT	3787			Charcoal fragments	69	G7 spit 1			
1987	ZT	3788			Iron - amorphous fragments	88	G7 spit 2			
1987	ZT	3789			Copper fragments	32	G7 spit 2			
1987	ZT	3790			Glass fragments - case	44	G7 spit 2			
1987	ZT	3791			Shell (egg)	41	G7 spit 2			

ZUYTDORP - Land site material										
Year	WR	Reg No	Sx	No	Item	Mat	Location	ANCO DS	Allocation	Notes
1987	ZT	3792			Shell	48	G7 spit 2			
1987	ZT	3793			Clay pipe fragments	27	G7 spit 2			
1987	ZT	3794			Unidentified		G7 spit 2			
1987	ZT	3795			Charcoal	69	G7 spit 2			
1987	ZT	3796			Iron - amorphous fragments	88	G8 spit 1			
1987	ZT	3797			Part iron ring	82	G8 spit 2 East			
1987	ZT	3798			Copper fragments	32	G8 spit 1			
1987	ZT	3799			Glass fragments - case	44	G8 spit 1			
1987	ZT	3800			Charcoal	69	G8 spit 1			
1987	ZT	3801			Shell fragments	48	G8 spit 2			
1987	ZT	3802			Iron - amorphous fragments	88	G9 spit 1			
1987	ZT	3803			Copper fragments	32	G9 spit 1			
1987	ZT	3804			Brass button	32	G9 spit 1			
1987	ZT	3805		3	Shell cartridges	32	G9 spit 1			
1987	ZT	3806		3	Glass fragments	44	G9 spit 1			
1987	ZT	3807			Iron - amorphous fragments	88	G9 spit 2			
1987	ZT	3808			Copper fragments	32	G9 spit 2			
1987	ZT	3809			Glass fragments	44	G9 spit 2			
1987	ZT	3810			Iron - amorphous fragments	88	H3 surface			
1987	ZT	3811			Iron - amorphous fragments	88	H3 spit 1			
1987	ZT	3812			Iron - flat	84	H3 spit 1			
1987	ZT	3813			Copper fragments	32	H3 spit 1			
1987	ZT	3814			Copper fragments - melted	32	H3 spit 1			
1987	ZT	3815			Shell	48	H3 spit 1			
1987	ZT	3816			Iron - amorphous fragments	68	H4 spit 1			
1987	ZT	3817			Iron - flat	84	H4 spit 1			
1987	ZT	3818			Nail pieces	82	H4 spit 1			
1987	ZT	3819			Spike fragments	82	H4 spit 1			
1987	ZT	3820			Copper fragments	32	H4 spit 1			
1987	ZT	3821			Bone fragments	41	H4 spit 1			
1987	ZT	3822			Iron - amorphous fragments	88	H5? spit 1			
1987	ZT	3823			Copper fragments	32	H5 spit 1			



ZUYTDORP - Land site material										
Year	WR	Reg No	Sx	No	Item	Mat	Location	ANCODES	Allocation	Notes
1987	ZI	3824			Glass	44	H5 spit 1			
1987	ZI	3825			Cork	67	H5 spit 1			
1987	ZI	3826			Charcoal fragments	69	H5 spit 1			
1987	ZI	3827			Iron - amorphous fragments	88	H6 spit 1			
1987	ZI	3828			Glass fragments - case	44	H6 spit 1			
1987	ZI	3829			Cork	67	H6 spit 1			
1987	ZI	3830			Shell fragments	48	H6 spit 1			
1987	ZI	3831			Charcoal fragments	69	H6 spit 1			
1987	ZI	3832			Iron - amorphous fragments	88	H7 spit 1			
1987	ZI	3833			Glass fragments - case	44	H7 spit 1			
1987	ZI	3834			Cork	67	H7 spit 1			
1987	ZI	3835			Shell	48	H7 spit 1			
1987	ZI	3836			Charcoal	69	H7 spit 1			
1987	ZI	3837			Richt phennig - token, France Louis XIV	52	H7 spit 1			Ref. 10875 NM
1987	ZI	3838			Glass fragments - case	44	H7 spit 2			
1987	ZI	3839			Shell fragments and shell	48	H7 spit 2			
1987	ZI	3840			Charcoal	69	H7 spit 2			
1987	ZI	3841			Iron - amorphous fragments	88	H8 spit 1			
1987	ZI	3842			Copper fragments	32	H8 spit 1			
1987	ZI	3843			Glass fragments	44	H8 spit 1			
1987	ZI	3844			Shell fragments	48	H8 spit 1			
1987	ZI	3845			Charcoal	69	H8 spit 1			
1987	ZI	3846			Iron - amorphous fragments	88	H9 spit 1			
1987	ZI	3847			Copper fragments	32	H9 spit 1			
1987	ZI	3848			Copper rifle shells	32	H9 spit 1			
1987	ZI	3849			Glass fragments	44	H9 spit 1			
1987	ZI	3850			Shell fragments	48	H9 spit 1			
1987	ZI	3851			Charcoal	69	H9 spit 1			
1987	ZI	3852			Bone fragments	41	H9 spit 1			
1987	ZI	3853			Iron - amorphous fragments	88	I3 spit 1			
1987	ZI	3854			Strap fragments	84	I3 spit 1			
1987	ZI	3855			Nail fragments	82	I3 spit 1			

ZUYTDORP - Land site material							Mat	Location	ANCO DS	Allocation	Notes
Year	WR	Reg No	Sx	No	Item						
1987	ZT	3856			Copper fragments		32	13 spit 1			
1987	ZT	3857			Iron - amorphous fragments		88	14 spit 1			
1987	ZT	3858			Nail/spike fragments		82	14 spit 1			
1987	ZT	3859			Copper fragments		32	14 spit 1			
1987	ZT	3860			Iron - amorphous fragments		88	15 surface			
1987	ZT	3861			Iron - amorphous fragments		88	15 spit 1			
1987	ZT	3862			Copper fragments		32	15 spit 1			
1987	ZT	3863			Coal/shell fragments		69	15 spit 1			
1987	ZT	3864			Clay pipe fragments		27	15 spit 2			
1987	ZT	3865			Shell fragments		48	15 spit 2			
1987	ZT	3866			Iron - amorphous fragments		88	16 spit 1			
1987	ZT	3867			Iron strap fragments		84	16 spit 1			
1987	ZT	3868			Nail		82	16 spit 1			
1987	ZT	3869			Glass fragments - case		44	16 spit 1			
1987	ZT	3870			Charcoal		69	16 spit 1			
1987	ZT	3871			Shell		48	16 spit 1 west			
1987	ZT	3872			Pipe fragments		27	16 spit 1 east			
1987	ZT	3873			Cray feeler fragment		48	16 spit 1 east			
1987	ZT	3874			Iron - amorphous fragments		88	17 spit 1			
1987	ZT	3875			Shell fragments		48	17 spit 1			
1987	ZT	3876			Charcoal fragments		69	18 spit 1			
1987	ZT	3877			Iron - amorphous fragments		88	18 spit 1			
1987	ZT	3878			Shell fragments		48	18 spit 1			
1987	ZT	3879			Iron - amorphous fragments		88	J7 spit 2			
1987	ZT	3880			Copper fragments		32	J7 spit 2			
1987	ZT	3881			Shell		48	J7 spit 2			
1987	ZT	3882			Shell		48	J7 spit 3			
1987	ZT	3883			Iron - amorphous fragments		88	J5 spit 1			
1987	ZT	3884			Iron - amorphous fragments		88	J6 spit 1			
1987	ZT	3885			Glass fragments case		44	J6 spit 1			
1987	ZT	3886			Pipe stem and fragments		27	J6 spit 1			
1987	ZT	3887			Iron - amorphous fragments		88	J7 spit 1			

ZUYTDORP - Land site material										
Year	WR	Reg No	Sx	No	Item	Mat	Location	ANCO DS	Allocation	Notes
1987	ZT	3888			Shell fragments	48	J7 spit 1			
1987	ZT	3889			Iron - amorphous fragments	88	J8 surface			
1987	ZT	3890		2	Nail/spike fragments	82	J8 surface			
1987	ZT	3891			Iron - amorphous fragments	88	K5 spit 1			
1987	ZT	3892			Shell fragments	48	K5 spit 1			
1987	ZT	3893			Iron - amorphous fragments	88	K6 spit 1			
1987	ZT	3894			Iron - amorphous fragments	88	K8 surface			
1987	ZT	3895			Bone	41	K8 surface			
1987	ZT	3896			Iron - amorphous fragments	88	L5 surface			
1987	ZT	3897			Iron - flat	84	L5 spit 1			
1987	ZT	3898			Iron - amorphous fragments	88	L6 spit 1			
1987	ZT	3899			Shell	48	L6 spit 1			
1987	ZT	3900			Iron - amorphous fragments	88	L8 spit 1			
1987	ZT	3901			Iron - flat	84	L8 spit 1			
1987	ZT	3902			Copper nail	32	L8 spit 1			
1987	ZT	3903			Iron - amorphous fragments	88	L8 spit 1			
1987	ZT	3904			Iron - flat	84	Run off			
1987	ZT	3905			Rifle cartridge	32	Run off			
1987	ZT	3906			Glass fragments - case	44	Run off			
1987	ZT	3907			Shell	48	Run off			
?	ZT	3908		1	Green glass fragment	44	Unknown			Finder: Lamara
?	ZT	3909		1	Iron strap piece	84	Unknown			Finder: Lamara
?	ZT	3910		2	Iron spike sections	82	Unknown			Finder: Lamara
?	ZT	3911		2	Iron spike sections - large	82	Unknown			Finder: Lamara
1990	ZT	4122			TOBACCO BOX LID - Leiden engraving	32	MM/JUG/39			Playford: Well Nth of site
1990	ZT	4123			Clay pipe bowl	27	MA			Playford: Barrel site
1991	ZT	4124		22	Green glass fragments	44	MA			Donor J. Aich Coin rock and reef platfor
1991	ZT	4125		1	Clear fragment	44	MA			Donor J. Aich Coin rock and reef platfor
1991	ZT	4126		9	Clay pipe fragments	27	MA			Donor J. Aich Coin rock and reef platfor
1991	ZT	4127		1	Stoneware fragment	21	MA			Donor J. Aich Coin rock and reef platfor
1991	ZT	4128		2	Peawter fragments	22	MA			Donor J. Aich Coin rock and reef platfor
1991	ZT	4129		1	Copper fragment	32	MA			Donor J. Aich Coin rock and reef platfor

ZUYTDORP - Land site material										
Year	WR	Reg No	SX	No	Item	Mat	Location	ANCODS	Allocation	Notes
1991	ZT	4130		2	Copper tacks	32	MA		Donor J. Alch	Coin rock and reef platform
1991	ZT	4131	A	7	Tufting nails - 10 mm diam	32	MA		Donor J. Alch	Coin rock and reef platform
1991	ZT	4131	B	6	Tufting nails - 13 mm diam (5 + 1 frag)					
1991	ZT	4132		2	Buckle w/chape - brass	32	MA		Donor J. Alch	Coin rock and reef platform
1991	ZT	4134		2	Bowl shaped object - brass, part	32	MA		Donor J. Alch	Coin rock and reef platform
1991	ZT	4135			Brass strip, w/ends turned under	32	MA			WAM Expedition
1991	ZT	4136		2	Molten metal balls - small, 1 brass	32	MA			WAM Expedition
1991	ZT	4137		3	Copper fragments - heated	32	MA			WAM Expedition
1991	ZT	4138		1	Clay pipe stem section	27	CO			WAM Expedition
1991	ZT	4139		1	Schillingen	51	MA			WAM Expedition
1991	ZT	4140		4	Clay pipe section - 3 stem, 1 bowl	27	CO			WAM Expedition
1991	ZT	4141		7	Fragments, possibly lead	34	MA			WAM Expedition
1991	ZT	4142		1	Iron fastening head (nail, spike?)	82	MA			WAM Expedition
1991	ZT	4143		1	Iron tack - small	82	MA			WAM Expedition
1991	ZT	4144		2	Iron fragments - part of fastening?	82	MA			WAM Expedition
1991	ZT	4145		15	Iron fragments, 1 similar to 4144	82	MA			WAM Expedition
				1	with nail head impression					WAM Expedition
					rest flat iron fragments					WAM Expedition
1991	ZT	4146		4	Porcelain bowl sherds	29	CO			WAM Expedition
1991	ZT	4147			Breech block	31	CO			WAM Expedition
1991	ZT	4148		1	Sheet lead, 1 piece	34	MA			WAM Expedition
1991	ZT	4149		2	Coin fragments	51	MA			WAM Expedition
1991	ZT	4150		1	Button - brass	32	MA			WAM Expedition
1991	ZT	4151		1	Escutcheon plate - copper, as ZT 1821	32	MA			WAM Expedition
1991	ZT	4152	A	4	Iron bolt, large, in concrete	82				WAM Expedition
	ZT	4152	B	1	Flat iron strapping - piece	84				WAM Expedition
	ZT	4152	C		Concrete fragments	86				WAM Expedition
1991	ZT	4153		1	Lead sheafing - squashed lump	34	MA			WAM Expedition
1991	ZT	4154			Iron bolt in concrete - 35 mm diam	82	MA			WAM Expedition
	ZT	4154		10	Iron bolt pieces	82	MA			WAM Expedition
1991	ZT	4155		1	Buckle - brass	32	MA			WAM Expedition
1991	ZT	4156		1	Glass fragment - colourless	44	CCN			WAM Expedition

APPENDIX 1.  
List of replicas

This is a list of the codes used for the ANCODS listing

N = Assigned to the Netherlands - already delivered (the date is the date that the item was assigned)

C = Assigned to the Commonwealth (the date is the date that the item was assigned)

CS = Commonwealth ex Shipwreck Exhibition - now located at National Museum Canberra

CC = Commonwealth located in Canberra

The Suffix D means object is deferred

The Suffix G means object is located Geraldton Museum

The Suffix M means object is located WA Maritime Museum

The suffix NM means object is registered in Numismatic collection

The Suffix P means object is located in Perth Museum vault

The Suffix T means object is in treatment with Conservation

The Suffix U means object is unavailable

The Suffix W means object is in Wick Gallery

The Suffix X means object is under query

BAT00422	R	1	32	Poly/resin	Semi-circular protractor - brass, replica	From original	1975C
BAT00422	R	1	32	Poly/resin	Semi-circular protractor - brass, replica	From original	1975N
BAT00455	R	1	31	Poly/resin	Semi-circular astrolabe - bronze, replica	From original	1975C
BAT00455	R	1	31	Poly/resin	Semi-circular astrolabe - bronze, replica	From original	1975N
BAT00566	R	1	33	Poly/resin	Inkstand and inkwell - pewter, replica	From original	1975N
BAT00566	R	1	33	Poly/resin	Inkstand and inkwell - pewter, replica	From original	1976CU
BAT03274	R	1	32	Replica	Prelate's seal: GOB and cross (predikant)	Concretion muzzle C3	2 APR 73
BAT03274	R	1	32	Replica	Prelate's seal: GOB and cross (predikant)	Concretion muzzle C3	2 APR 73
BAT03404	R	1	31	Replica	Ship's bell - bronze	NW of C3	27 APR 73
BAT03404	R	1	31	Replica	Ship's bell - bronze	NW of C3	27 APR 73
BAT03547	R	1	81	Poly/resin	Spike shot - iron, replica	NW at C3	27 APR 73
BAT03547	R	1	81	Poly/resin	Spike shot - iron, replica	NW at C3	27 APR 73
BAT03603	R	1	36	Replica	Gilded silver cherub	Wreck site	30 NOV 73
BAT03603	R	1	36	Replica	Gilded silver cherub	Wreck site	30 NOV 73
BAT03628	R	1	32	Replica	Three wick gimbal oil lamp - brass	070 160	1979NU
BAT03628	R	1	32	Replica	Three wick gimbal oil lamp - brass	070 160	1979NU
BAT03720	R	1	31	Poly/resin	Three wick gimbal oil lamp - brass	Not specified	1976CU
BAT03720	R	1	31	Poly/resin	Three wick gimbal oil lamp - brass	Not specified	1976CU
BAT03720	R	1	31	Poly/resin	Circular astrolabe dated 1628 - bronze, replica	From original	1975CU
BAT03720	R	1	31	Poly/resin	Circular astrolabe dated 1628 - bronze, replica	From original	1975CU
BAT04430	R	1	84	Poly/resin	Padlock - iron, replica	From original	1975N
BAT04430	R	1	84	Poly/resin	Padlock - iron, replica	From original	1975N
BAT04493	R	1	62	Replica	Padlock - iron, replica; and mould - replica	Conc'n hollow mould	1975CM
BAT04493	R	1	62	Replica	Padlock - iron, replica; and mould - replica	Conc'n hollow mould	1975N
BAT06446	R	1	62	Replica	Cannon plug - wood	Conc'n hollow mould	1976CU
BAT06446	R	1	62	Replica	Cannon plug - wood	Conc'n hollow mould	1976CU
BAT06446	R	1	62	Replica	Bowl - wood	Barbers bowl conc'n	1 MAY 70
BAT06446	R	1	62	Replica	Bowl - wood	Barbers bowl conc'n	1 MAY 70
BAT06463	R	1	62	Replica	Cotton reel - wood	From original	26 APR 75
BAT06463	R	1	62	Replica	Cotton reel - wood	From original	26 APR 75
BAT06534	R	1	62	Replica	Wooden cup from grenade	From original	1982NU
BAT06534	R	1	62	Replica	Wooden cup from grenade	From original	1982NU
BAT08734	R	1	81	Poly/resin	Armour breastplate - iron, replica	C2 conc'n b/w A7&A8	27 MAR 74
BAT08734	R	1	81	Poly/resin	Armour breastplate - iron, replica	C2 conc'n b/w A7&A8	27 MAR 74
BAT08734	R	1	81	Poly/resin	Armour breastplate - iron, replica	From concretion b/p	1975CS
BAT08734	R	1	81	Poly/resin	Armour breastplate - iron, replica	From concretion b/p	1975CS
GT001051	R	1	62	Replica	Powder flask & cap, wood, originally w/leather cover	Conc'n imprints b/p	1975N
GT001051	R	1	62	Replica	Powder flask & cap, wood, originally w/leather cover	Conc'n imprints b/p	1975N
GT001088	H	1	62	Replica	Powder flask cap	215.200	5 APR 72
GT001088	H	1	62	Replica	Powder flask cap	215.200	5 APR 72
GT001091	R	1	62	Replica	Powder flask cap	215.200	5 APR 72
GT001091	R	1	62	Replica	Powder flask cap	215.200	5 APR 72
GT001136	R	1	62	Replica	Bone knife handle with wavy line decoration	Wreck site	15 JAN 72
GT001136	R	1	62	Replica	Bone knife handle with wavy line decoration	W/S toolbox	15 JAN 72

GT001136	R	1	Replica	Bone knife handle with wavy line decoration	W/S toolbox	16 JAN 72	1975N
GT001143	R	1	Replica	Drumstick - wood	From original		1979CU
GT001143	R	1	Replica	Drumstick - wood	W/S toolbox	15 JAN 72	1975CU
GT001198	R	1	Replica	Copper hammer flat square face with straight pane	W/S toolbox	16 JAN 72	1975NU
GT001198	R	1	Replica	Copper hammer, flat square face with straight pane	W/S toolbox	16 JAN 72	1975CU
GT001203	R	1	Replica	Oval cross section file	W/S toolbox	16 JAN 72	1975N
GT001203	R	1	Replica	Oval cross section file	W/S toolbox	16 JAN 72	1975CU
GT001204	R	1	Replica	Round ended centre punch	W/S toolbox	16 JAN 72	1975N
GT001204	R	1	Replica	Round ended centre punch	W/S toolbox	16 JAN 72	1975CU
GT001206	AR	1	Replica	Round ended centre punch	W/S toolbox	16 JAN 72	1975CU
GT001206	AR	1	Replica	Round ended centre punch	W/S toolbox	16 JAN 72	1975CU
GT001206	AR	1	Replica	Round ended centre punch	W/S toolbox	16 JAN 72	1975N
GT001206	R	1	Replica	Round ended centre punch	W/S toolbox	16 JAN 72	1975N
GT001208	R	1	Replica	Parallel sided chisel	W/S toolbox	16 JAN 72	1975CU
GT001208	R	1	Replica	Parallel sided chisel	W/S' toolbox	16 JAN 72	1975N
GT001209	R	1	Replica	Parallel sided chisel	W/S toolbox	16 JAN 72	1975CU
GT001209	R	1	Replica	Parallel sided chisel	W/S toolbox	16 JAN 72	1975N
GT001212	R	1	Replica	Screwdriver blade or chisel	W/S toolbox	16 JAN 72	1975CU
GT001212	R	1	Replica	Screwdriver blade or chisel	W/S toolbox	16 JAN 72	1975N
GT001213	R	1	Replica	Round ended centre punch	W/S toolbox	16 JAN 72	1975CU
GT001213	R	1	Replica	Round ended centre punch	W/S toolbox	16 JAN 72	1975N
GT001214	R	1	Replica	Tapered ended punch	W/S toolbox	16 JAN 72	1975CU
GT001215	R	1	Replica	Parallel sided chisel	W/S toolbox	16 JAN 72	1975CU
GT001215	R	1	Replica	Parallel sided chisel	W/S toolbox	16 JAN 72	1975N
GT001216	R	1	Replica	Taper ended punch	W/S toolbox	16 JAN 72	1975CU
GT001216	R	1	Replica	Taper ended punch	W/S toolbox	16 JAN 72	1975N
GT001217	R	1	Replica	Long tapered flat tapered tool	W/S toolbox	16 JAN 72	1975CU
GT001217	R	1	Replica	Long tapered flat tapered tool	W/S toolbox	16 JAN 72	1975N
GT001218	R	1	Replica	Long tapered flat tapered tool	W/S toolbox	16 JAN 72	1975CU
GT001218	R	1	Replica	Long tapered octagonal tool	W/S toolbox	16 JAN 72	1975CU
GT001219	R	1	Replica	Long tapered octagonal tool	W/S toolbox	16 JAN 72	1975N
GT001219	R	1	Replica	Tapered ended punch	W/S toolbox	16 JAN 72	1975CU
GT001219	R	1	Replica	Taper ended punch	W/S toolbox	16 JAN 72	1975N
GT001220	R	1	Replica	Parallel sided chisel	W/S toolbox	16 JAN 72	1975CU
GT001220	R	1	Replica	Parallel sided chisel	W/S toolbox	16 JAN 72	1975N
GT001221	R	1	Replica	Tapered ended punch	W/S toolbox	16 JAN 72	1975CU
GT001221	R	1	Replica	Taper ended punch	W/S toolbox	16 JAN 72	1975N
GT001250	R	1	Replica	Square ended punch	W/S toolbox	16 JAN 72	1975CU
GT001250	R	1	Replica	Square ended punch	W/S toolbox	16 JAN 72	1975N
GT001250	R	1	Replica	Square ended punch	W/S toolbox	16 JAN 72	1975CU
GT001295	R	1	Polyresin	Bar shot - iron, replica	From original concntr		1975CU
GT001295	R	1	Polyresin	Bar shot - iron, replica	From original concntr		1975N
GT001314	R	1	Replica	Taper ended punch	W/S toolbox	16 JAN 72	1975CU
GT001397	R	1	Replica	Pump valve TO BE DISCUSSED	W/S toolbox	16 JAN 72	1975N
ZW000185	R	1	Replica	Pump valve TO BE DISCUSSED			1979CX
ZW000185	R	1	Replica	Square pan (rush lamp) - copper			1979NX
ZW000199	AR	1	Replica	Square pan (rush lamp) - copper			1977CU
ZW000205	R	1	Replica	Buckle - copper			1977NU
ZW000205	R	1	Replica	Buckle - copper			1977NU
ZW000205	R	2	Replica	Large round button - brass		5 AUG 70	1977CU
ZW000209	AR	1	Replica	Large flat button, large round button - brass			1979NU
ZW000236	R	1	Replica	Corner brace - copper			1977CU
ZW000248	R	1	Replica	Tobacco box - brass			1977CU
ZW000248	R	1	Replica	Buckle - brass			1977CU
ZW000248	R	1	Replica	Buckle - brass			1977NU

ZW000119	ABF	2	32	Replica	Baldric buckles - brass	Gun Island 1892-94	1 JUN 74	1977CU
ZW000419	ABCR	3	32	Replica	Baldric buckles - brass; + shoe buckles - copper	Gun Island 1892-94	1 JUN 74	1977NU
ZW000836	AR	1	31	Replica	Pulley bearing coak - bronze	Wreck site	16 MAY 72	1979CU
ZW001016	R	1	32	Replica	Tobacco box - brass	Gun Island 1892-94		1977NU
ZW001104	R	1	32	Replica	Handle from lid - copper	Gun Island 1892-94		1977CU
ZW001104	R	1	32	Replica	Handle from lid - copper	Gun Island 1892-94		1977NU
ZW001144	R	1	33	Replica	Jug - pewter	Area 2	30 MAR 75	1977NU
ZW001144	R	1	33	Replica	Jug - pewter	Area 2	30 MAR 75	1977CU
ZW001170	R	1	32	Replica	Buckle, brass frame lined	Gun Island Hole 34	30 MAR 75	1977CU
ZW001170	R	1	32	Replica	Buckle, brass frame lined	Gun Island Hole 34	30 MAR 75	1977NU
ZW001469	BR	1	31	Replica	Pulley bearing, coak - bronze		30 MAR 76	1977CU
ZW001469	AR	1	31	Replica	Pulley bearing, coak - bronze		30 MAR 76	1977NU